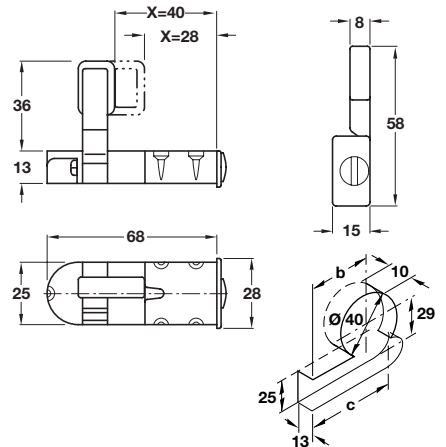


Cupboards with 2 doors require one left-hand or one right-hand lock

Cupboards with 3 doors require one left-hand and one right-hand lock



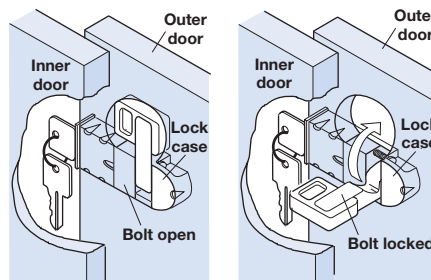
● **Discontinued**
+ **Discontinued when stock = 0**



C Stoplock swivel bolt locks

| Random key changes | | | | | |
|--------------------|-------|-------|-------------|-------------|--|
| Distance | | | Cat. No. | | |
| x | b | c | Left | Right | |
| 28 mm | 42 mm | 54 mm | ●233.90.294 | ●233.90.285 | |
| 40 mm | 42 mm | 54 mm | ●233.90.418 | ●233.90.409 | |
| 55 mm | 57 mm | 69 mm | ●233.90.561 | ●233.90.552 | |
| Keyed alike | | | | | |
| Distance | | | Cat. No. | | |
| x | b | c | Left | Right | |
| 28 mm | 42 mm | 54 mm | 233.91.291 | 233.91.282 | |
| 40 mm | 42 mm | 54 mm | ●233.91.415 | ●233.91.406 | |
| 55 mm | 57 mm | 69 mm | ●233.91.568 | ●233.91.559 | |

Packing: 1 pc



- **C Stoplock swivel bolt locks**
- For Vorfront, Mixfront, Infront and other sliding door systems
- Door appearance is unaffected by the Stoplock, which is installed in the side and rear of the door
- **Distance x:** 28, 40 or 55 mm
- **5 plate levers** = 200 possible key changes
- Polished nickel-plated zinc alloy case with black plastic swivel bolt and zinc alloy cylinder
- Accessories: 2 keys