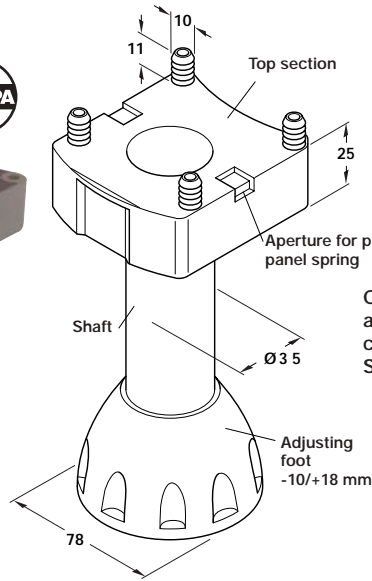


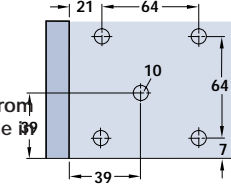
Adjustable Plinth Feet

Order Online at www.hafele.co.uk

Dimensions in mm



Bayonet (tool-less) connection of the shaft into top section prevents shaft from coming out of the top section when tilted, especially on high cabinets. Foot can be adjusted without special tools, even under load.



Can be adjusted from above through hole in cabinet floor with SW8 allen key

Press fit

Screw fixing

- **A Plinth foot, adjustable**
- Comprises: Rectangular top section, shaft and foot
- Black plastic

A Plinth foot, adjustable

Plinth height	press-fit	screw fixing
120 mm	637.80.323	-
150 mm	637.80.325	637.80.315

Packing: i1 pc

Re-instated