

Universal Connectors and Cabinet Connectors

Order Online at www.hafele.co.uk

Dimensions in mm

- **Confir-plan® universal connector**
- Designed around the Conformat one-piece connector
- Comprises Conformat connector, pressure plate, trim cap and allen key

- Other **Conformat® connectors** and drills are shown on pages 10-11

Discontinued ●
Discontinued when stock = 0 +

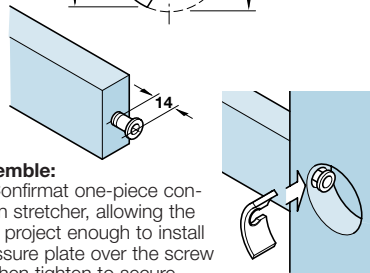
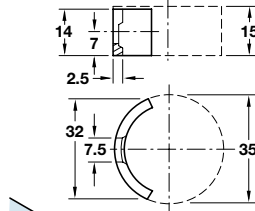
2

Universal and Cabinet KD Connectors



- **B Pressure plate**
- Yellow chromated steel

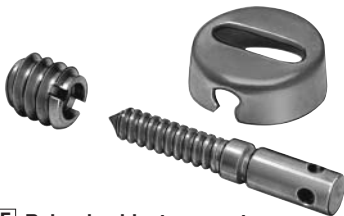
- **C Trim cap**
- For Ø 35 mm housing recess
- Brown plastic



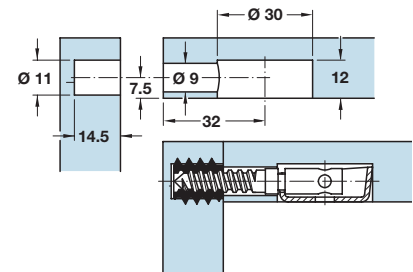
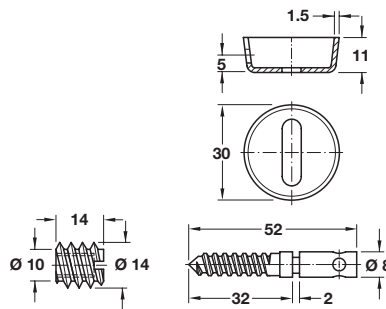
To assemble:
 Install Conformat one-piece connector in stretcher, allowing the head to project enough to install the pressure plate over the screw head. Then tighten to secure.

B Pressure plate	
Cat. No.	260.51.909
Packing:	500 pcs

C Trim cap	
Cat. No.	260.51.196
Packing:	500 pcs



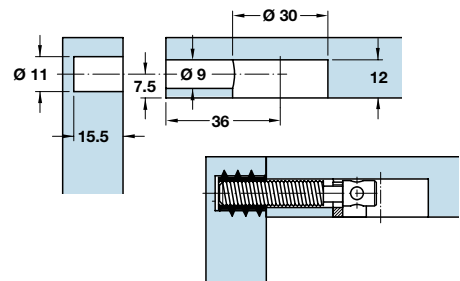
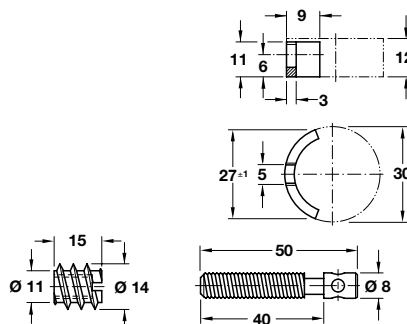
- **E Rekord cabinet connector**
- For mounting in drilled holes
- No trim cap required as housing conceals the drilled hole
- Long tightening distance, quick fastening
- Brass-plated steel housing, threaded sleeve and capstan screw



E Rekord cabinet connector	
Cat. No.	+ 262.04.50T
Packing:	20 pcs



- **F Optimus cabinet connector**
- For mounting in drilled holes
- Bright steel
- Order **trim cap G** separately



F Optimus cabinet connector	
Cat. No.	262.11.012
Packing:	40 pcs

- **G Trim cap**
- For Ø 30 mm housing recess
- For use with **Optimus** cabinet connector
- Nickel-plated steel



G Trim cap	
Cat. No.	● 262.11.978
Packing:	80 pcs