

A Rim cylinder

- **Operation:** Key only
- **Body:** Brass
- **Finish:** Satin nickel or satin brass
- **Pins:** 5 no.
- **Keys:** 3 no.
- Back plate included
- Securing screws included
- To differ only

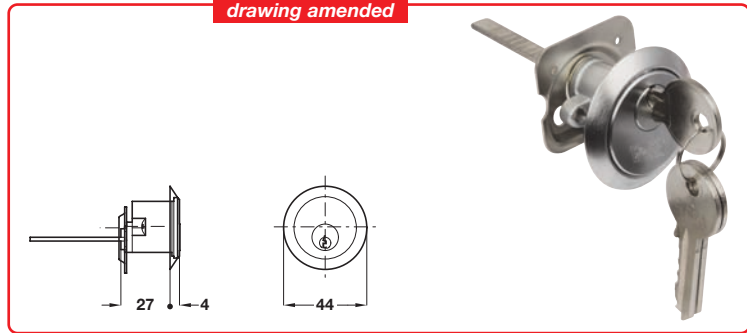
Item A.
Catalogue shows... 'Bright'
Correct Finishes are 'Satin'

Finish	Cat. No.	
Satin nickel	916.54.200	Re-instated
Satin brass	916.54.300	Re-instated

Packing: 1 pc

Item A.
Photo amended and
drawing amended

Discontinued •
Discontinued when stock = 0 +



B Screw-in cylinder

- **Operation:** Key only
- **Body:** Brass
- **Finish:** Bright nickel or bright brass
- **Pins:** 5 no.
- **Keys:** 3 no.
- **Cam:** Adams Rite
- To differ only

Finish	Cat. No.
Polished nickel	● 916.54.400
Bright brass	● 916.54.500

Packing: 1 pc

