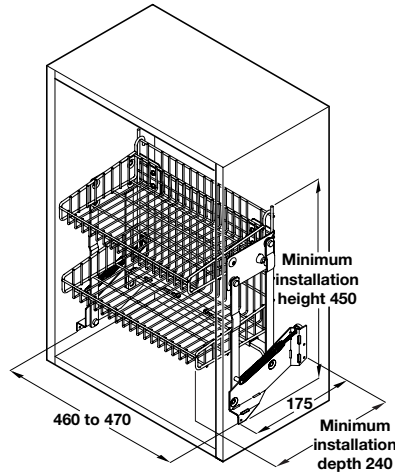


### A Pull down baskets

- For installation in 500 mm wide wall units
- Two tier storage basket
- Spring action helps stabilize the baskets
- Fixing materials and full fitting instructions are included
- Steel basket and fixing arms

Finish	Cat. No.
Chrome-plated	504.54.210

Order qty: 1 pc



**Item B.**  
Illustration amended and text added to show this is a single tier shelf

### B Single tier pull down wire shelf

- Minimum installation depth 300 mm
- Steel
- Chrome-plated

**Text added to show minimum installation depth**

Cabinet size	Cat. No.
500 mm	504.59.250
600 mm	504.59.260

Order qty: 1 set

**Item B.**  
Illustration amended

