

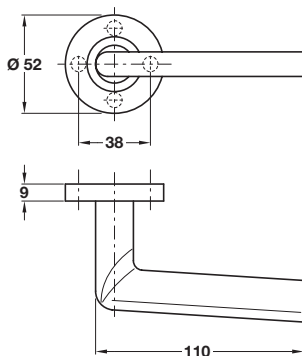
1

## A SAN LORENZO lever handles

- Pair of lever handles on concealed fixing roses
- Grub screw fixing on 8 mm spindle
- **Sprung**, for use with **standard duty** followers
- Fixings included
- To suit door **35-54 mm** thick
- Zinc alloy
- Matching escutcheons available, see page **215**
- Spindle type, see page **101** for details
- For recommended locks, see **Section 2** pages **15-17**

Finish	Cat. No.
Satin chrome	900.20.834
Polished chrome	900.20.832

Order qty: 1 pair



Satin chrome finish

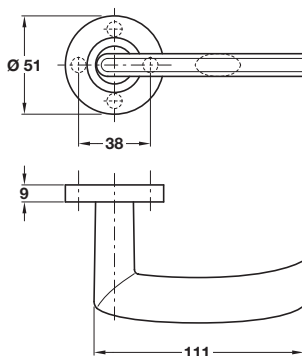


## B ALMANZOR lever handles

- Pair of lever handles on concealed fixing roses
- Grub screw fixing on 8 mm spindle
- **Sprung**, for use with **standard duty** followers
- Fixings included
- To suit door **35-54 mm** thick
- Zinc alloy
- Matching escutcheons available, see page **215**
- Spindle type, see page **101** for details
- For recommended locks, see **Section 2** pages **15-17**

Finish	Cat. No.
Satin chrome	900.20.844
Polished chrome	900.20.842

Order qty: 1 pair



Polished chrome finish

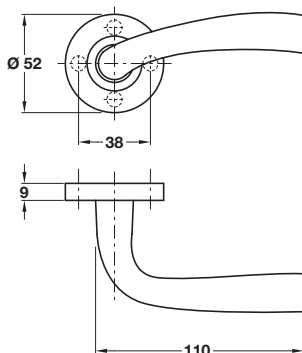


## C URBION lever handles

- Pair of lever handles on concealed fixing roses
- Grub screw fixing on 8 mm spindle
- **Sprung**, for use with **standard duty** followers
- Fixings included
- To suit door **35-54 mm** thick
- Zinc alloy
- Matching escutcheons available, see page **215**
- Spindle type, see page **101** for details
- For recommended locks, see **Section 2** pages **15-17**

Finish	Cat. No.
Satin chrome	900.20.854
Polished chrome	900.20.852

Order qty: 1 pair



Polished chrome finish



TCH-A1 2008, HUK. Dimensional data not binding. We reserve the right to alter specifications without notice.