

# Lever Handles Stainless Steel StarTec Range

Range name changed from  
'StarTec Commercial' to 'StarTec'

# HÄFELE

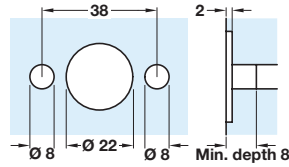
1

### For all StarTec lever handles:

Drill two holes  $\varnothing 8$  mm at 38 mm centres, to a minimum depth of 8 mm, and one  $\varnothing 22$  mm hole to a depth of 2 mm

**Discontinued** ●

**Discontinued when stock = 0** +



Satin stainless steel finish



StarTec

**Item A.**  
78 mm reverted back to  
72 mm

### DIN EN 1906 - PfB

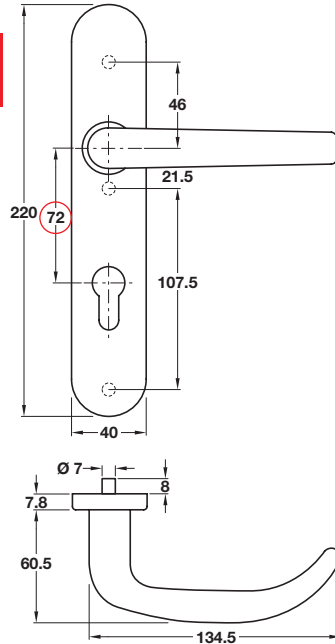


### A FAME shaped lever handle, profile cylinder lock

- Pair of lever handles on profile cylinder lock backplates
- Grub screw fixing on 8 mm high-grade alloy steel spindle
- **Sprung**, for use with **standard duty** followers
- Bolt through fixings included
- To suit doors up to **38-47 mm** thick
- 304 stainless steel
- Spindle type, see page **64** for details
- For recommended locks, see **Section 2** pages **15-17**

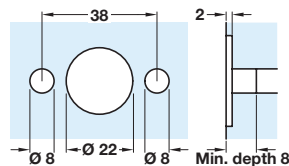
Finish	Cat. No.
Satin stainless steel	902.92.314

Order qty: 1 set



### For all StarTec lever handles:

Drill two holes  $\varnothing 8$  mm at 38 mm centres, to a minimum depth of 8 mm, and one  $\varnothing 22$  mm hole to a depth of 2 mm



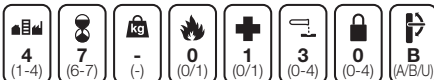
Satin stainless steel finish



StarTec

**Item B.**  
Catalogue shows 72 mm  
Correct dimension is  
78 mm

### DIN EN 1906 - PfB



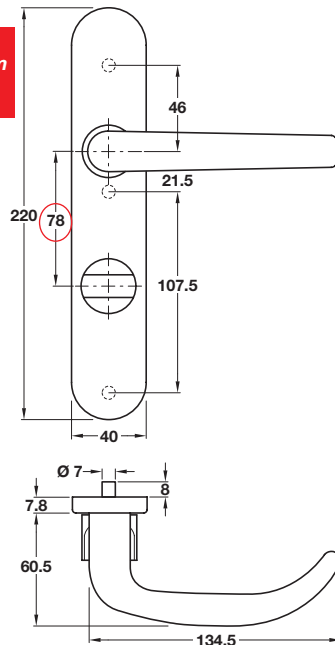
### B FAME shaped lever handles, bathroom lock

- Pair of lever handles on bathroom lock backplates
- Grub screw fixing on 8 mm high-grade alloy steel spindle
- **Sprung**, for use with **standard duty** followers
- Bolt through fixings included
- To suit doors up to **38-47 mm** thick
- 304 stainless steel
- Spindle type, see page **64** for details
- For recommended locks, see **Section 2** pages **15-17**

Finish	Cat. No.
Satin stainless steel	902.94.314

Order qty: 1 set

**Re-instated**



29.09.11/5\*