

Note: When fitting the brush seals, ensure that you do not “over bend” the filaments. A “touch” fit plus 2 mm will provide adequate flex to seal the filament pile.

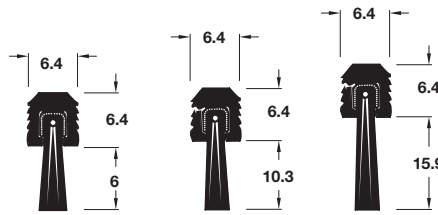
Brush strips can be used either vertically or horizontally. See page 129 for details.

A Brush seal, mortice pattern

- Mortice fixing
- Normally fixed to bottom of door
- 2.1 m length
- Aluminium carrier, nylon filament brush

Brush length	Gap	Cat. No.
6 mm	4-6 mm	950.07.419
10.3 mm	8-10 mm	950.07.269
15.9 mm	14-16 mm	950.07.389

Order qty: 1 pc

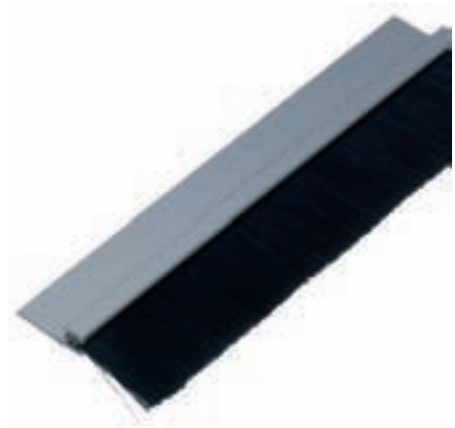
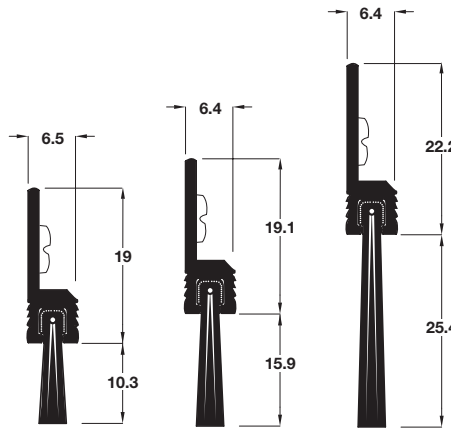


B Brush seal, surface pattern

- Face fixing
- Fixed to timber or metal doors
- 2.1 m length
- Aluminium carrier, nylon brush filament

Brush length	Gap	Cat. No.
10.3 mm	8-10 mm	950.07.369
15.9 mm	13.5-15.5 mm	950.07.279
25.4 mm	23-25 mm	950.07.439

Order qty: 1 pc

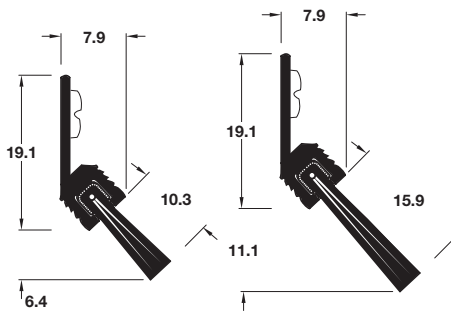


C Brush seal, surface 45° angled pattern

- Face fixing
- Fixed to timber or metal doors
- 2.1 m length
- Aluminium carrier, nylon filament brush

Brush length	Gap	Cat. No.
10.3 mm	4-6 mm	950.07.379
15.9 mm	9-11 mm	950.17.509

Order qty: 1 pc

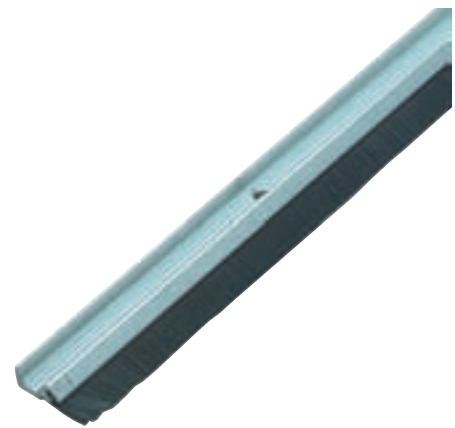
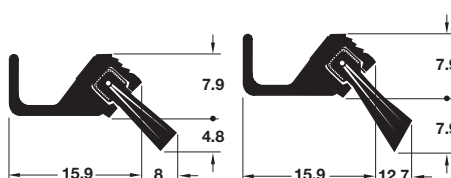


D Brush seal, surface 35° angled pattern

- Face fixing
- Fixed to jamb and head of timber or metal doors
- 2.1 m length
- Aluminium carrier, nylon brush filament

Brush length	Gap	Cat. No.
4.8 mm	2.5-4.5 mm	950.07.399
7.9 mm	5.5-7.5 mm	950.17.519

Order qty: 1 pc



TCH-A1 2008, HUK. Dimensional data not binding. We reserve the right to alter specifications without notice.