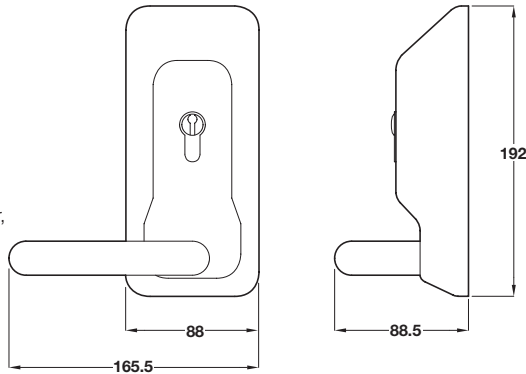


A Outside access device

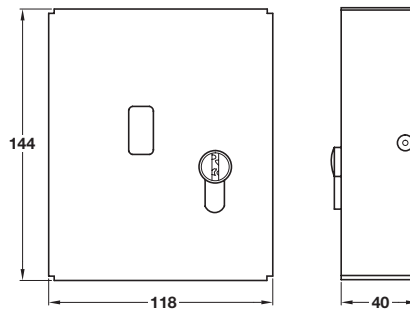
- To suit heavy duty panic bolt, shown on page 55
- Suitable for either hand
- Protection disc for 5 pin cylinders to prevent drilling of cylinder plug
- Supplied with 45 mm europrofile single security cylinder Grade 4
- Suitable for both 19 and 30 mm throw bolts
- Suits both timber and steel doors
- Cast stainless steel body, epoxy powder coated
- The below variations are available to special order, subject to quantity:
Knob version, 19 mm throw units only
Without cylinder
Oval cylinder
Scandinavian cylinder
Stainless steel finish



Finish	Cat. No.
Grey (RAL 7016)	911.57.006

Order qty: 1 pc

4



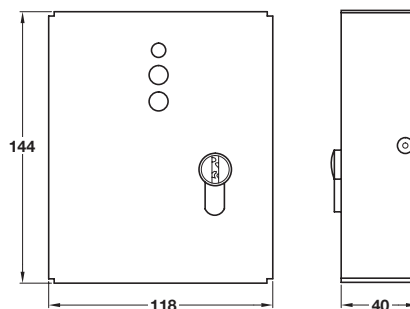
Mechanical
(left hand version)



Photo shows right hand version

B Security locking box

- To suit heavy duty panic bolt, shown on page 55
- Mechanical or electronic versions available
- Improve security by locking the shoots to prevent use of crossbar during out of hours periods
- Built-in microswitch, to link to emergency lighting or monitoring systems
- Indicator to show lock status - 'Locked' or 'Unlocked'
- Supplied with 5 pin europrofile cylinder
- Surface mounted
- Can be added to existing units
- Handed
- Mild steel, epoxy powder coated
- The below variations are available to special order, subject to quantity:
Without cylinder
Stainless steel finish



Electronic
(requires current transfer unit)



Photo shows right hand version

Mechanical

Finish	Left hand	Right hand
Grey (RAL 7016)	911.57.005	911.57.007

Order qty: 1 pc

Electronic

Finish	Left hand	Right hand
Grey (RAL 7016)	911.57.008	911.57.009

Order qty: 1 pc

TCH-A1 2008, HUK. Dimensional data not binding. We reserve the right to alter specifications without notice.