

Item A.
Dimension tolerance text added.
Note: Fixing screws are NOT included.

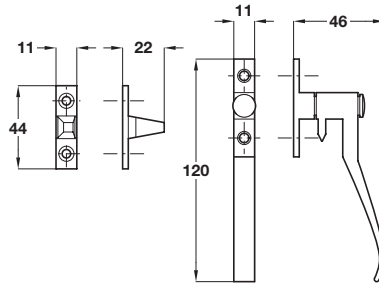
A Casement fastener

- Reversible
- Matching stay, see item B
- Aluminium

• Please note there is a ± 3 mm tolerance on dimensions

Finish	Cat. No.
Satin anodised	974.00.601

Order qty: 1 pc



Item B.
Dimension tolerance text added

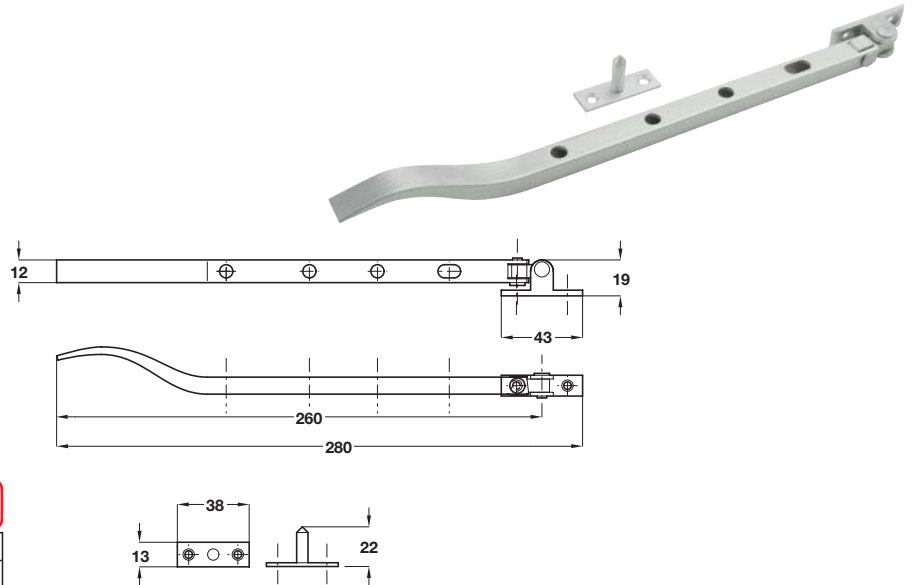
B Casement stay

- One pin included
- Fixing screws included
- Matching fastener, see item A
- Aluminium

• Please note there is a ± 3 mm tolerance on dimensions

Finish	Cat. No.
Satin anodised	974.00.611

Order qty: 1 pc



TCH-AI 2008, HUK. Dimensional data not binding. We reserve the right to alter specifications without notice.