

**A** Trimvent 4000 Hi Lift aluminium slot ventilator

- Specially developed for Part F of Building Regulations Ventilation (England and Wales)
- All vent/canopy combinations tested in accordance with BS EN 13141:2004
- T-bar deflects air up and down
- Compression closing action
- Use 13 mm high slot (see diagrams below)
- Equivalent Area (EA) mm<sup>2</sup> 2200, 4000 and 6000
- Unique linkage ensures constant friction and smooth action
- Vents and canopy supplied with screw covers
- Felted gasket for increased performance
- Vent: Aluminium
- Canopy: Aluminium with plastic grille

**Vent - 255 mm long, canopy - 263 mm long**

Finish	Cat. No.
Silver anodised	975.00.209
White	975.00.207

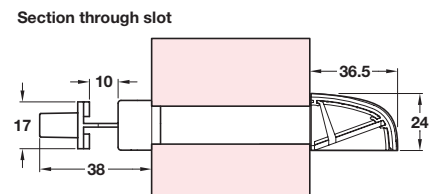
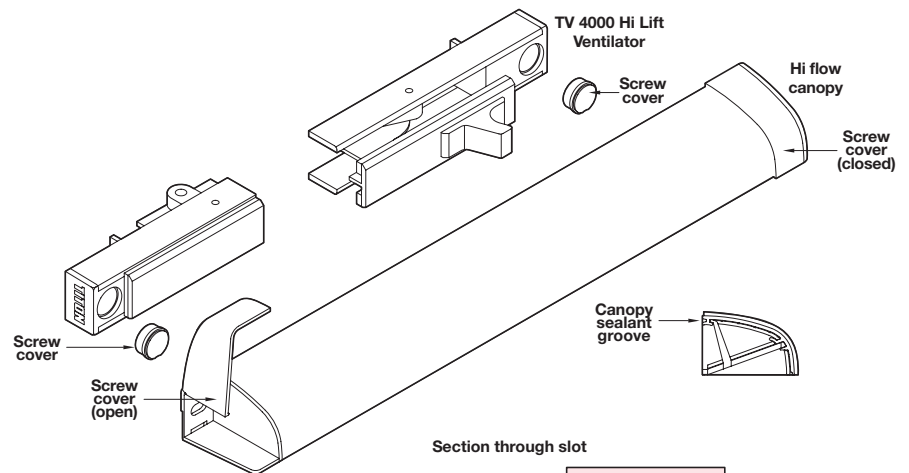
**Vent - 400 mm long, canopy - 441 mm long**

Finish	Cat. No.
Silver anodised	975.00.219
White	975.00.217

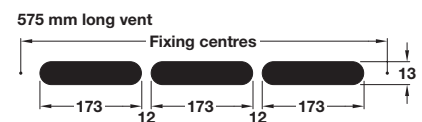
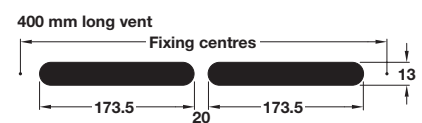
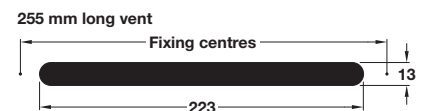
**Vent - 575 mm long, canopy - 582 mm long**

Finish	Cat. No.
Silver anodised	975.00.229
White	975.00.227

Order qty: 1 set (comprising 1 vent and 1 canopy)



Slot detail and dimensions



Technical specifications

	Equivalent Area (EA) mm <sup>2</sup>	Free Area mm <sup>2</sup>	Length	Width	Projection closed/open	Fixing centres
<b>Vent - 255 mm long, canopy - 263 mm long</b>						
Vent	2200	2469	255 mm	17 mm	28/38 mm	242 mm
Canopy	2200	3807	263 mm	24 mm	36.5 mm	244 mm
<b>Vent - 400 mm long, canopy - 441 mm long</b>						
Vent	4000	3989	400 mm	17 mm	28/38 mm	387 mm
Canopy	4000	6780	441 mm	24 mm	36.5 mm	423 mm
<b>Vent - 575 mm long, canopy - 582 mm long</b>						
Vent	6000	5925	575 mm	17 mm	28/38 mm	562 mm
Canopy	6000	9151	582 mm	24 mm	36.5 mm	565 mm

17.04.12/1\*

