

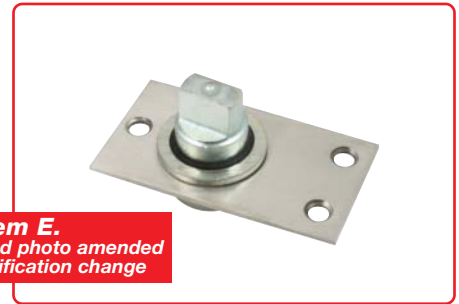
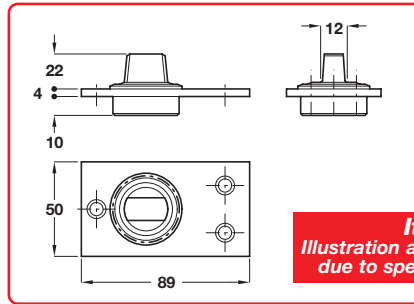
For information on glass preparation,
please contact the Architectural
Ironmongery department

E Bottom pivot

- Fixings included
- 304 grade stainless steel

Finish	Cat. No.
Satin stainless steel	981.14.842

Order qty: 1 pc



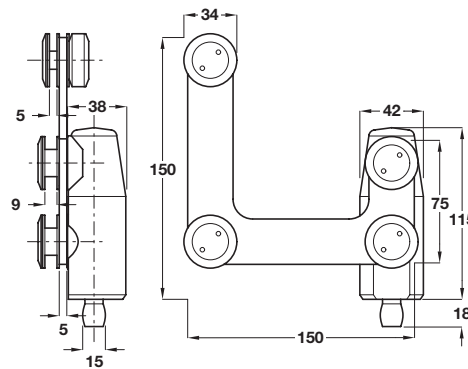
Item E.
Illustration and photo amended
due to specification change

F Hinge pivot for over panel and side panel

- Fixings included
- 304 grade stainless steel

Finish	Cat. No.
Stain stainless steel	981.14.844

Order qty: 1 pc

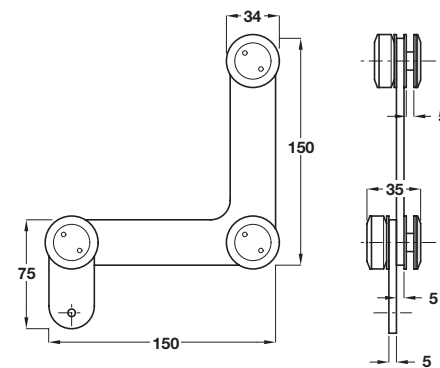


G Connector for over panel and side panel with stop

- Fixings included
- 304 grade stainless steel

Finish	Cat. No.
Satin stainless steel	981.14.800

Order qty: 1 pc

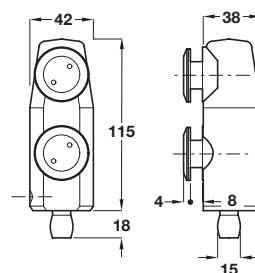


H Over panel pivot with 15 mm pin

- Fixings included
- 304 grade stainless steel

Finish	Cat. No.
Satin stainless steel	981.14.810

Order qty: 1 pc

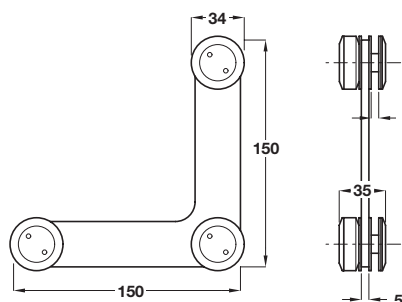


I Connector pivoting overpanel - side panel

- Fixings included
- 304 grade stainless steel

Finish	Cat. No.
Satin stainless steel	981.14.822

Order qty: 1 pc



TCH-AI 2008, HUK. Dimensional data not binding. We reserve the right to alter specifications without notice.

25.09.12/3*