

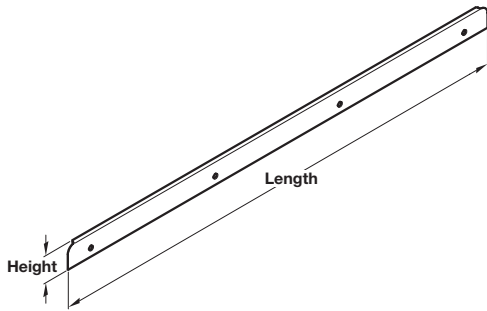
Worktop trim, corner joint

Tolerance added

- 640 mm length ± 2 mm
- Available in 28 and 38 mm height
- Aluminium

Finish	28 mm	38 mm
Etched aluminium	756.15.901	756.15.911
Matt black painted	756.15.301	756.15.311

Order qty: 1 pc



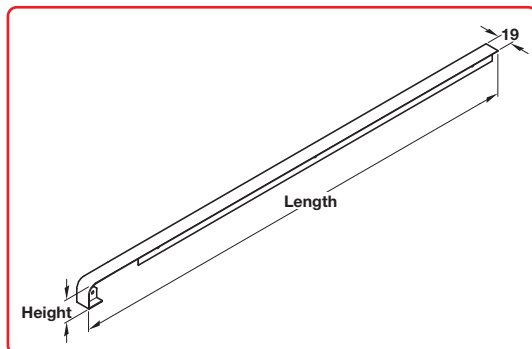
Worktop trim, end cap

Tolerance added

- 640 mm length ± 2 mm
- Available in 28 and 38 mm height
- Aluminium

Finish	28 mm	38 mm
Etched aluminium	756.15.921	756.15.931
Matt black painted	756.15.321	756.15.331

Order qty: 1 pc



Design of curved end amended

Worktop trim, butt joint

Tolerance and lengths added

- 633 mm or 623 mm length ± 5 mm
- Available in 28 and 38 mm height
- Aluminium

Finish	28 mm x 633 mm	38 mm x 623 mm
Etched aluminium	756.15.941	756.15.951
Matt black painted	756.15.341	756.15.351

Order qty: 1 pc



TCH-FF 2010, HUK. Dimensional data not binding. We reserve the right to alter specifications without notice.