

### Brass bar railing system

A complete range of decorative bar rail fittings in brass and chrome, off the shelf or we can offer a comprehensive specification service.

Ideal for pubs, clubs, theatres, shopping complexes and restaurants.

Manufactured in the UK to the highest quality.

All chrome products are plated on polished brass tube castings and stamping, thus producing a high quality finish.

All fittings are solid brass either polished or chrome-plated.

**Stainless steel bar railing system** is shown on pages 41-43

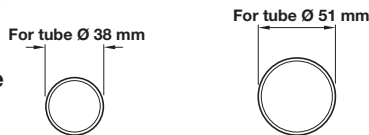


#### IMPORTANT NOTE:

Unless otherwise indicated fixing screws are not included and must be ordered separately. The logo shown indicates the type and size of screw required.

#### Railing application:

Railing supports and holders should be mounted at 700 mm intervals along the railing tube and 150 mm from the end of the tube

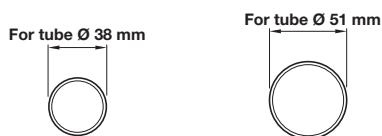


#### A Straight railing tube

- 2.5 m length
- Brass

Finish	Ø 38 mm	Ø 51 mm
Polished brass	812.50.802	812.60.802
Polished chrome	812.50.202	812.60.202

Order qty: 1 length

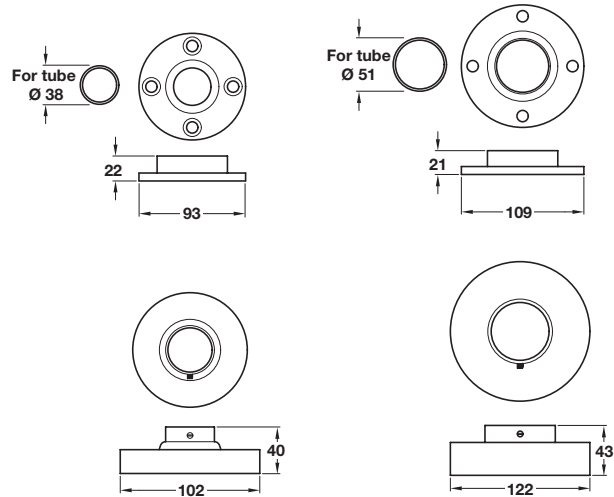


#### B Tube spigot joint

- 150 mm length
- For joining 2 pieces of straight railing
- Mild steel, self colour

For tube	Ø 38 mm	Ø 51 mm
Cat. No.	812.54.000	812.64.000

Order qty: 1 pc



For Ø 38 mm tube

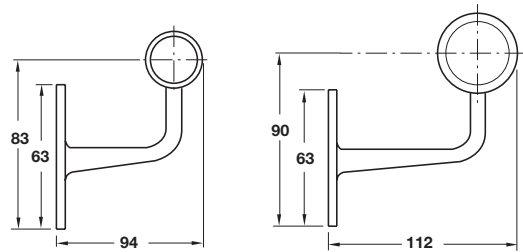
For Ø 51 mm tube

#### C Railing support tube set

- For use with Ø 38 or Ø 51 mm railing tubes, to create a balustrade
- Includes support tube, fixing and cover plate
- Brass and mild steel

Finish	Ø 38 mm	Ø 51 mm
Polished brass	812.52.805	812.62.805
Polished chrome	812.52.205	812.62.205

Order qty: 1 set



For Ø 38 mm tube

For Ø 51 mm tube

#### D Streamline barrier bracket

- For Ø 38 or Ø 51 mm tubes
- Brass

Finish	Ø 38 mm	Ø 51 mm
Polished brass	812.51.830	812.61.830
Polished chrome	812.51.230	812.61.230

Order qty: 1 pc