

# Flap Fittings

## Lid Stays with Adjustable Braking

**Discontinued** •  
**Discontinued when stock = 0** +

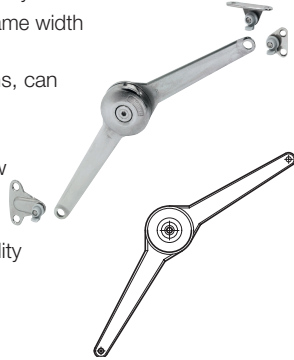
**HÄFELE**

### Duo Forte 3666 lid stay

- **Heavy version** - min. installation depth 175 mm
- Opening angles: **75°, 90°, 110°**
- Unhanded design
- For use with wooden lids or lids with aluminium frames, also suitable for use as flap stay
- For flaps with aluminium frame with frame width 20 mm or from 45 mm
- With braking and locking mechanisms, can be adjusted using an **SW4** hex key
- Self closing function
- Clip-mounting on pre-mounted screw fixing brackets, no tools required
- Height  $\pm 2$  mm, side  $+3/-1$  mm, tilt  $\pm 1.5$  mm and pull adjustment facility
- Nickel-plated steel bracket
- Nickel-plated zinc alloy lid stay
- Installation instructions included



Logo's added



#### For wooden lids/lids with aluminium frame width from 45 mm

Distance from edge	Cat. No.
<b>28 mm</b>	See page 6.115B for further details 373.66.631
<b>37 mm</b>	See page 6.115B for further details 373.66.632

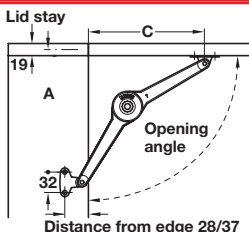
#### For lids with aluminium frame width 20 mm **Headings added**

Distance from edge	Cat. No.
<b>28 mm</b>	See page 6.115B for further details 373.66.641
<b>37 mm</b>	See page 6.115B for further details 373.66.642

Order qty: 1 pc

#### Table showing maximum flap weight

Flap height	Maximum flap weight (kg)			
	Function locking		Function braking	
	1 stay	2 stays	1 stay	2 stays
<b>For opening angle 75°</b>				
200	14.0	15.0	15.0	15.0
250	11.5	15.0	15.0	15.0
300	9.0	15.0	12.0	15.0
350	8.0	15.0	11.0	15.0
400	7.0	14.0	9.0	15.0
450	6.0	12.5	8.0	15.0
500	5.5	11.0	7.0	15.0
550	5.0	10.0	6.5	13.0
600	5.0	9.5	6.0	12.0
650	4.0	8.5	5.5	11.0
700	4.0	8.0	5.0	10.5
<b>For opening angle 90°</b>				
200	12.0	15.0	15.0	15.0
250	9.5	15.0	12.0	15.0
300	8.0	15.0	10.0	15.0
350	7.0	13.5	9.0	15.0
400	6.0	12.0	8.0	15.0
450	5.0	11.0	7.0	14.0
500	5.0	9.5	6.0	12.0
550	4.0	8.5	5.5	11.0
600	4.0	8.0	5.0	10.0
650	3.5	7.0	5.0	9.5
700	3.0	7.0	4.0	9.0
<b>For opening angle 110°</b>				
200	9.5	15.0	12.5	15.0
250	7.5	15.0	10.0	15.0
300	6.5	12.5	8.0	15.0
350	5.5	11.0	7.0	14.0
400	4.5	9.5	6.0	12.5
450	4.0	8.5	5.5	11.0
500	4.0	7.5	5.0	10.0
550	3.5	7.0	4.0	9.0
600	3.0	6.0	4.0	8.0
650	3.0	5.5	4.0	7.5
700	3.0	5.0	3.5	7.0



#### Lid stay, heavy version

Opening angle	Dim. A	Dim. C
75°	224 mm	212 mm
90°	192 mm	182 mm
110°	160 mm	161 mm

Illustrations and dimensions table added

19.04.13/7\*



### C Duo 3667 and Duo forte 3666 lid stays

- Opening angle 75°, 90° and 110°
- With self closing function
- For left and right hand use
- Clips onto pre-mounted mounting bracket
- Locks in any position, locks in end position to brake, released by slight pressure

**Discontinued when stock = 0**  
 For 373.66.660 Offer alt. 373.66.500  
 For 373.66.661 Offer alt. 373.66.700

#### • 1 set includes 1x stay and fitting instructions

- Nickel plated zinc alloy

Model series	Cat. No.
Duo	+ 373.66.660
Duo forte	+ 373.66.661

Order qty: 1 set

#### Item C.

Catalogue shows... '1 pc' Correct order qty is '1 set'.  
 Text amended to show what 1 set includes



### D Mounting bracket

- For use with **Duo 3667** and **Duo forte 3666**
- For mounting the lid stay to the cabinet
- Nickel plated steel

	Cat. No.
For edge distance (cabinet) 28 mm	373.66.693
For edge distance (cabinet) 37 mm	373.66.694

Order qty: 1 pc



For wooden flaps or flaps with aluminium frame, from frame width 45 mm



For flaps with aluminium frame, frame width 20 mm

### E Screw-on bracket

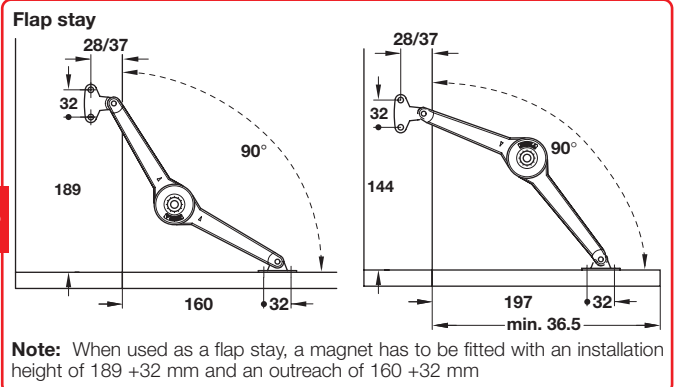
- For mounting the lid stay to the flap
- Nickel plated steel

**Item E.**  
 New item 373.66.036 added

**Item E.**  
 Text added to 373.66.681

	Cat. No.
<b>For wooden flaps or flaps with aluminium frame, from frame width 45 mm</b>	
For special Varianta screws	373.66.036
For chipboard screws	373.66.681
<b>For flaps with aluminium frame, frame width 20 mm</b>	
	373.66.682

Order qty: 1 pc



**Note:** When used as a flap stay, a magnet has to be fitted with an installation height of 189 +32 mm and an outreach of 160 +32 mm