

A Variant-F steel shelf System 400, 365 mm depth

- For office filing systems
- Box type profile gives added strength
- Additional reinforcing profile for shelves over 900 mm
- Load bearing capacity in accordance with DIN 68 874 L 125, which is 125 kg/m²
- Shelves are fastened with Varianta screws
- Holes at 20 mm intervals for partitions **C**
- It is also possible to hang a retractable wardrobe rail under the shelf, item **424.97.352**
- Epoxy coated steel
- *These lengths and other lengths are available with a minimum order quantity of 100 pcs. Details on request

Item A.
Reference amended to show item code

Width	Light grey (RAL 7035)	Black (RAL 9011)
762 mm	-	424.96.325*
780 mm	424.96.524	-
962 mm	424.96.536*	424.96.331*
980 mm	+ 424.96.533	424.96.337
1162 mm	-	424.96.349*
1180 mm	424.96.551	424.96.355

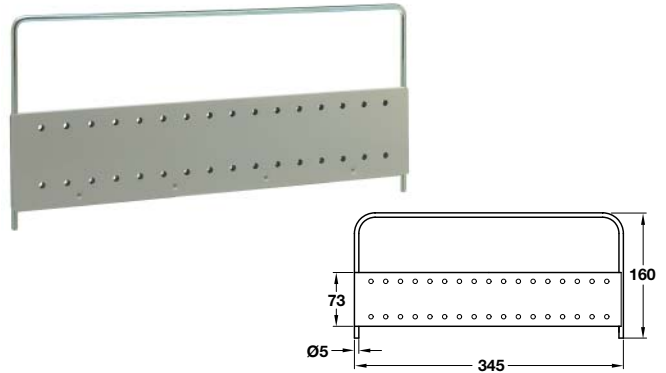
Order qty: 1 pc

B Variant-F steel shelf System 460, 422 mm depth

- For office filing systems
- Box type profile gives added strength
- Additional reinforcing profile included for all System 460 shelves
- Load bearing capacity in accordance with DIN 68 874 L 125, which is 125 kg/m²
- Shelves are fastened with Varianta screws
- Holes at 20 mm intervals for partitions **D**
- Epoxy coated steel
- *These lengths and other lengths are available with a minimum order quantity of 100 pcs. Details on request

Width	Light grey (RAL 7035)	Black (RAL 9011)
780 mm	424.96.620	424.96.720
980 mm	424.96.630	424.96.730
1162 mm	424.96.640*	424.96.740*
1180 mm	● 424.96.650*	424.96.750

Order qty: 1 pc



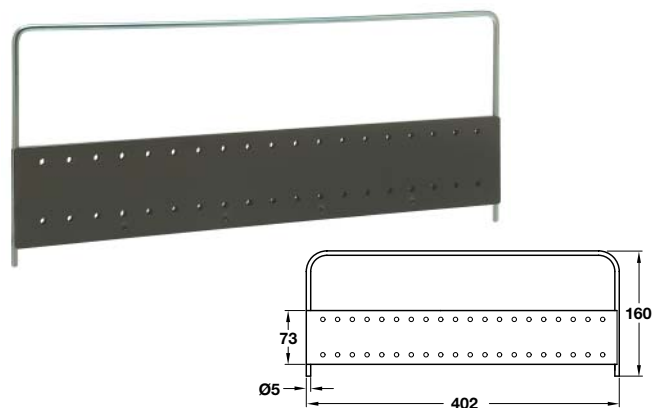
C Variant-F partition, System 400

- Epoxy coated steel
- Nickel-plated steel hoop

Finish	Cat. No.
Light grey (RAL 7035)	424.97.503
Black (RAL 9011)	424.97.307

Order qty: 1 pc

Discontinued ●
Discontinued when stock = 0 +



D Variant-F partition, System 460

- Epoxy coated steel
- Nickel-plated steel hoop

Finish	Cat. No.
Light grey (RAL 7035)	424.97.600
Black (RAL 9011)	424.97.700

Order qty: 1 pc