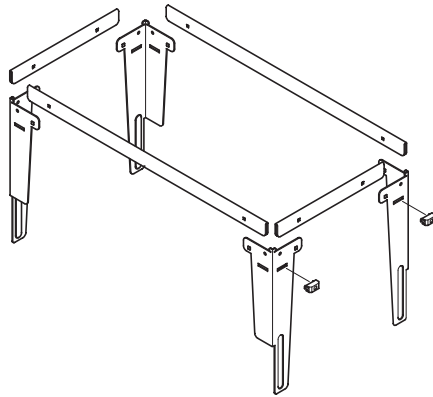


Hook on locking clips



Item A.
 Text removed

A Suspension filing frame

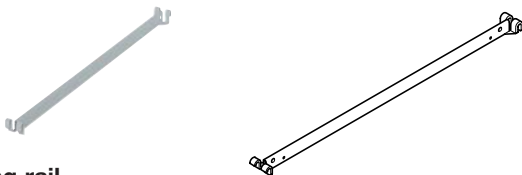
- To fit 500 mm or 700 mm deep systems drawer
- 320 mm width, 246 mm height
- Epoxy coated steel

Installation width	Drawer depth	Depth	Light grey (RAL 7035)	Black (RAL 9011)	Silver (RAL 9006)
380 mm	500 mm	483 mm	●426.05.506	●426.05.306	●426.05.206
380 mm	700 mm	683 mm	●426.05.512	426.05.312	-

Order qty: 1 pc

Discontinued
 For 426.05.306 use alt. no. 426.05.307
 For 426.05.506 use alt. no. 426.05.207

Item A.
 Item 426.05.202 removed from page as it is a different specification.



B Hanging rail

- For subdividing frames into required filing sizes
- Epoxy coated steel

Finish	Cat. No.
Light grey (RAL 7035)	425.12.520
Black (RAL 9011)	425.12.320
Silver (RAL 9006)	425.12.220

Order qty: 1 pc

C Suspension filing frame

- For hanging A4 suspension files or folders, hanging dimension 330 mm
- Installation width: 380 mm
- Height: 250-280 mm (adjustable)
- Black RAL 9011 plastic
- The suspension filing frames are disassembled for transport and can be easily assembled ready for use. The side sections can be inserted into the front at 6 different heights at intervals of 5 mm
- Please note: additional front panel supports must be mounted for drawer panel heights of 187 mm and above

Installation depth	Cat. No.
350 mm	429.76.350

Order qty: 1 pc

Discontinued ●
Discontinued when stock = 0 +