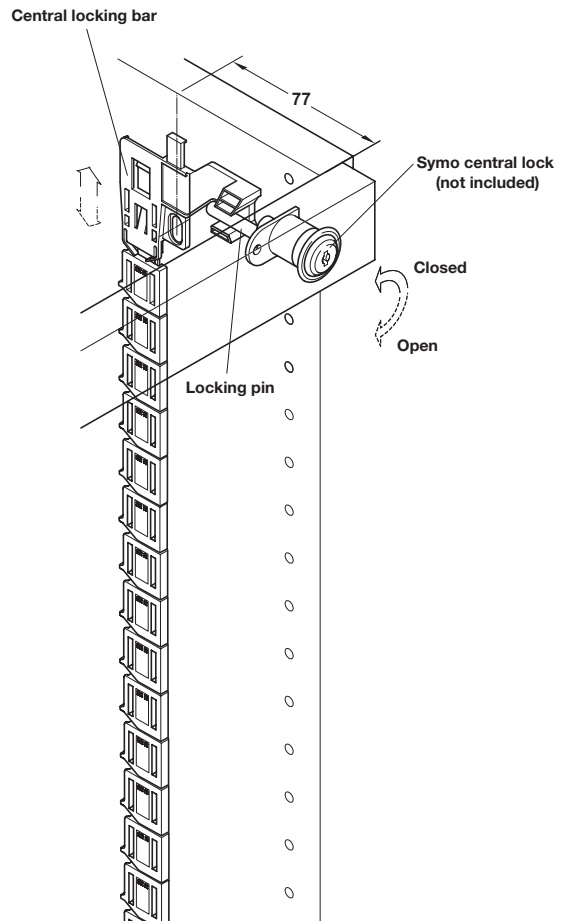
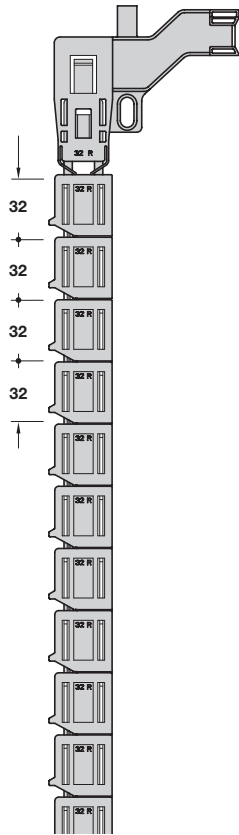


For suitable lock refer to Section 5 from page 117



A Variant C+ central locking bar

- For stationary tray, as well as all Variant C+ drawers and runners
- System 32
- Pre-assembled for fitting
- Can be shortened by 2 height units
- Steel/plastic
- Installed heights up to 1177 mm also available - information available on request

Unit height	Systems drawers	Installation height	Cat. No.
7	2 pcs	441 mm	237.83.507
7.5	2 pcs	473 mm	237.83.508
8	3 pcs	505 mm	237.83.510
8.5	3 pcs	537 mm	237.83.511
9	3 pcs	569 mm	237.83.512
10	4 pcs	633 mm	237.83.514
10.5	4 pcs	665 mm	237.83.515
11	4 pcs	697 mm	237.83.516

Order qty: 1 pc

