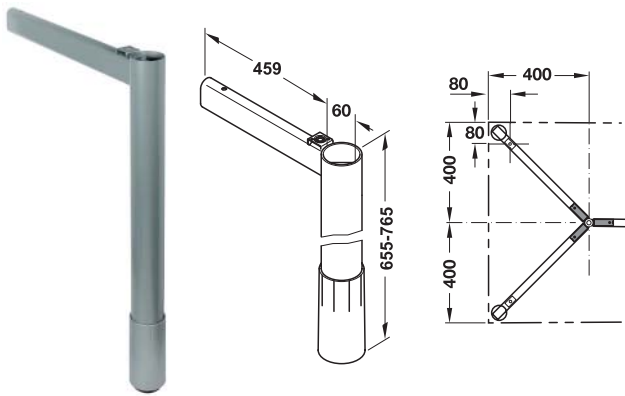


TCH 2013. © Häfele U.K. Ltd 2013. Dimensional data not binding. We reserve the right to alter specifications without notice.

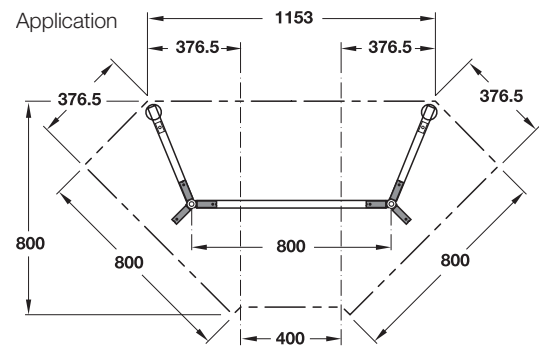


A Idea 400 leg, straight, with mounting bracket

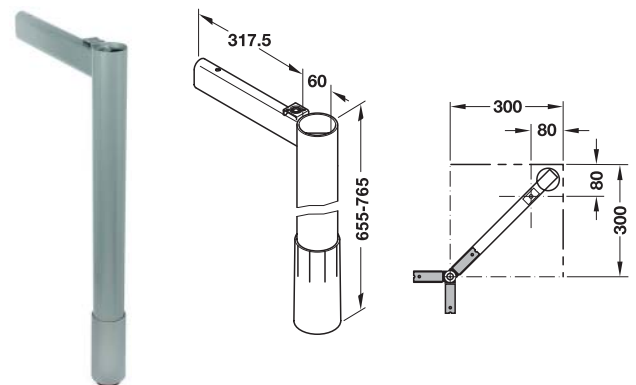
- With safety fixing using clamping ring
- With 110 mm adjustment screw at the leg
- With height adjustment **655 to 765 mm**
- Plastic coated steel, chrome-plated steel or stainless steel

Finish	Cat. No.
Silver coloured RAL 9006	654.41.272
Black RAL 9011	654.42.372

Order qty: 1 pc



Idea 400 table leg for 45° corner position, table leg connection with Y-joints 45°



B Idea 400 leg, straight, for 45° corner position, with mounting bracket

- With safety fixing using clamping ring
- With 110 mm adjustment screw at the leg
- With height adjustment **655 to 765 mm**
- Plastic coated steel, chrome-plated steel or stainless steel

Finish	Cat. No.
Silver coloured RAL 9006	654.31.272
Black RAL 9011	654.11.372

Order qty: 1 pc