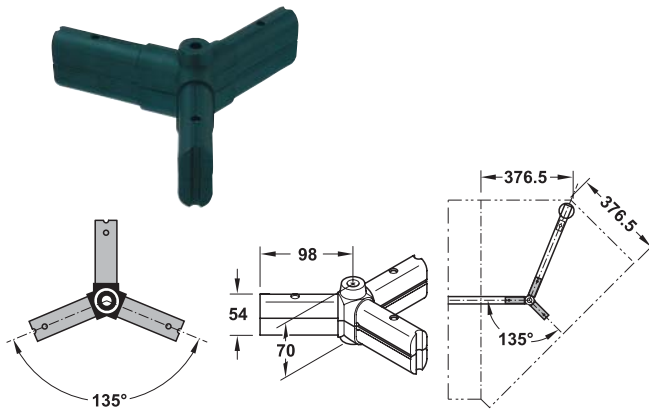


A Y-joint, 90° fixed

- With tensioning elements
- For press fitting into frames, for screw fixing with SW4 hexagon socket
- Black plastic

	Cat. No.
Y-joint	654.30.000

Order qty: 1 pc

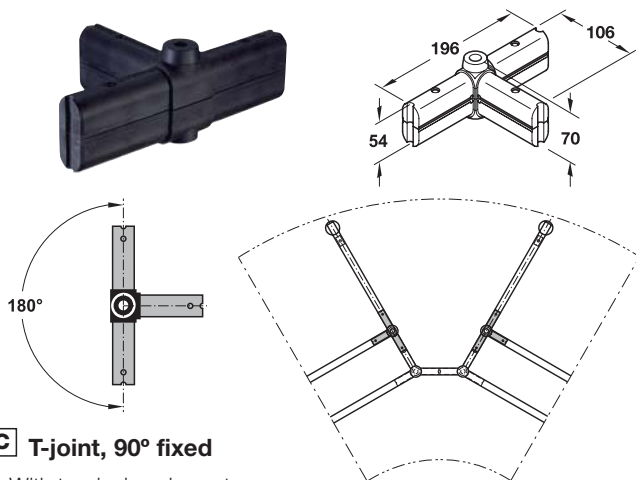


B Y-joint, 45° fixed

- With tensioning elements
- For press fitting into frames, for screw fixing with SW4 hexagon socket
- Black plastic

	Cat. No.
Y-Joint	654.30.001

Order qty: 1 pc

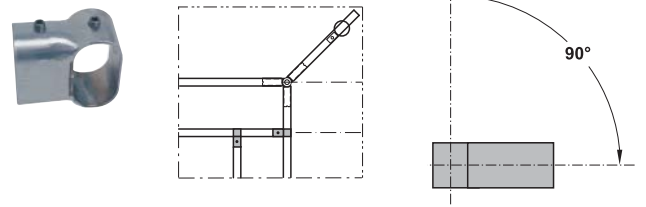


C T-joint, 90° fixed

- With tensioning elements
- For press fitting into frames, for screw fixing with SW4 hexagon socket
- Black plastic

	Cat. No.
T-joint	654.30.020

Order qty: 1 pc

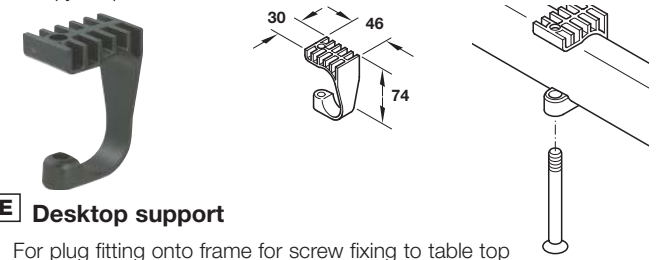


D Corner joint, 90° fixed

- With tensioning elements
- For sliding onto frames
- Silver coloured RAL 9006 plastic coated steel

	Cat. No.
Corner joint	654.30.200

Order qty: 1 pc

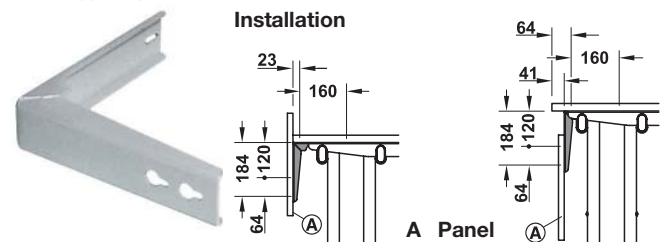


E Desktop support

- For plug fitting onto frame for screw fixing to table top
- Insert supports 800 - 1000 mm apart in accordance with table top thickness and length
- Black plastic

	Cat. No.
Desktop connector	654.34.510

Order qty: 1 pc

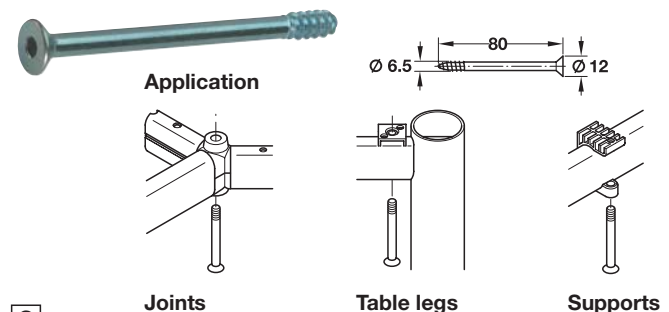


F Panel mounting bracket

- Length x width x height: 202 x 202 x 46 mm
- Plastic coated steel

	Cat. No.
Silver coloured RAL 9006	654.34.910

Order qty: 1 pc



G Countersunk screw

- SW4 hexagonal head
- With special thread for screwing directly into Ø 5 mm drill holes
- For fixing joints, table legs and supports to table top
- Zinc-plated steel

	Cat. No.
Countersunk screw	023.01.978

Order qty: 1 pc

TCH 2013. © Häfele U.K. Ltd 2013. Dimensional data not binding. We reserve the right to alter specifications without notice.