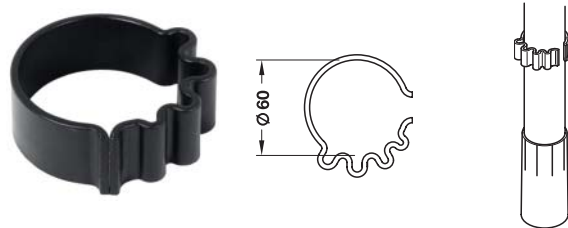


A Vertical cable management, link design

- This vertical cable management system is both attractively designed and protects the cables on their way from floor to desktop
- The length/height of the riser is easily adjusted by adding or removing individual clip elements as required
- For up to 815 mm desktop height, comes complete with weighted base section and table fixing element
- Fixing screws are also supplied for both desktop fixing and the integral strain relief
- Plastic with metal weighted base

Finish	Cat. No.
Black	631.01.300
Silver coloured	631.01.900

Order qty: 1 pc

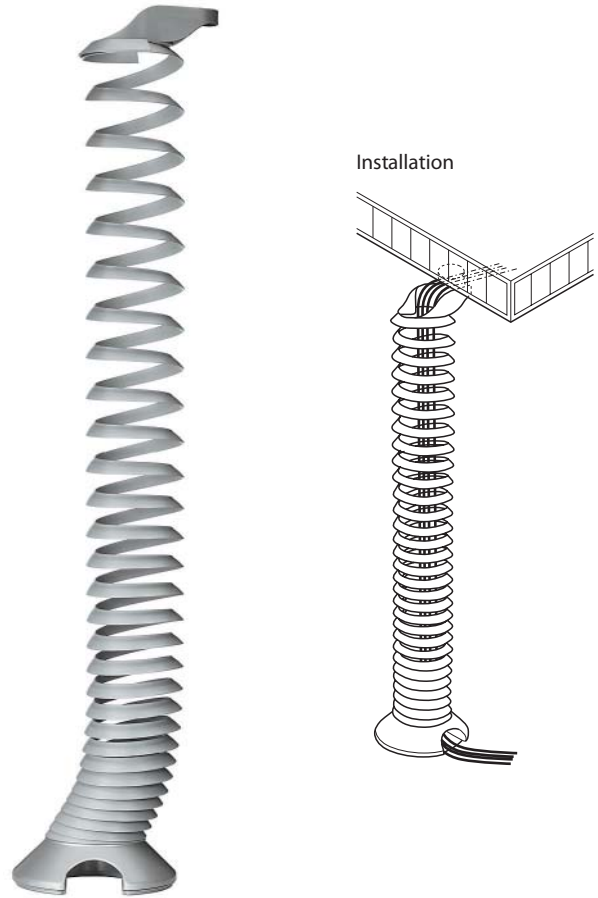


B Vertical cable clamp

- For fixing cables vertically to table legs, Ø 60 mm
- Black plastic

	Cat. No.
Cable clamp	631.08.300

Order qty: Multiples of 2 pcs

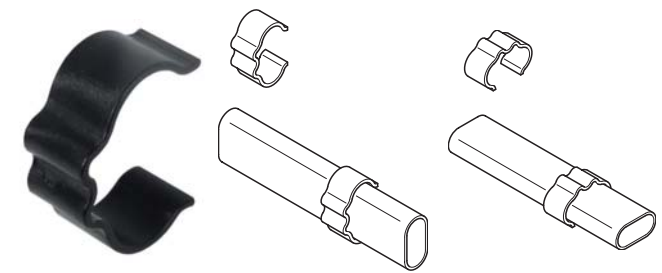


C Vertical cable management, spiral design

- Weighted with base
- Flexible use for different table heights, particularly suitable for height adjusting tables
- For screw fixing beneath table top
- Plastic with metal weighted base

Colour	Cat. No.
Black	631.20.310
Silver coloured	631.20.910

Order qty: 1 pc



D Horizontal cable clamp

- For fixing cables horizontally to frames
- Black plastic

	Cat. No.
Cable clamp	631.12.300

Order qty: Multiples of 2 pcs