

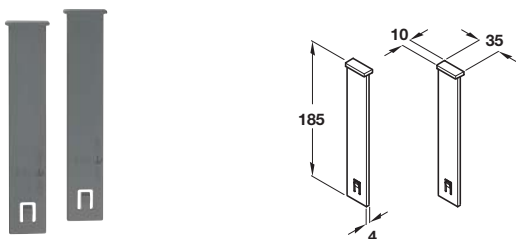


A Stacking bar set

- For A4 trays
- Plastic

No. of trays	Anthracite	Black
2 tray version	818.56.322	818.56.224
3 tray version	818.56.331	818.56.233

Order qty: 1 pair

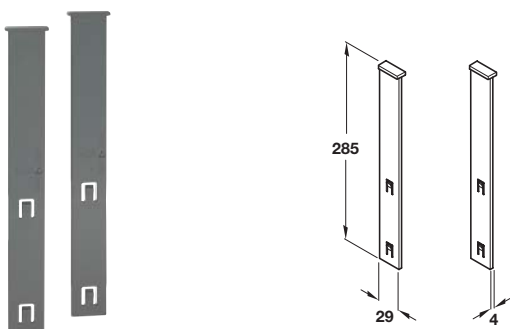


B Hanging bar sets (short) for desktop filing system

- To hold 2 x A4 trays
- For use with the desktop filing system trays
- Plastic

Finish	Cat. No.
Anthracite	818.56.300
Black	818.56.200

Order qty: 1 pair

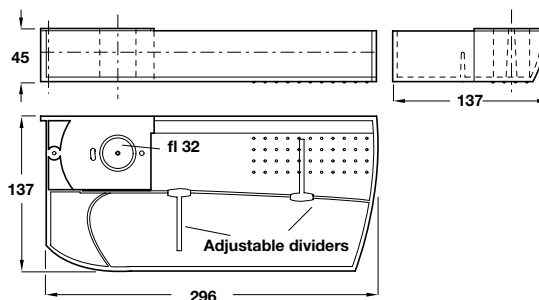
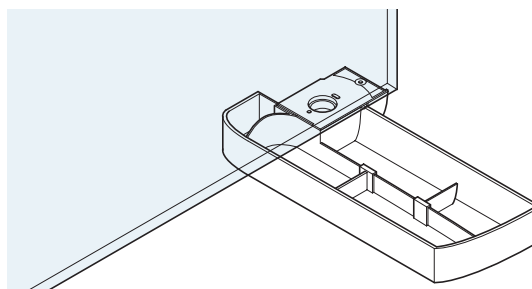
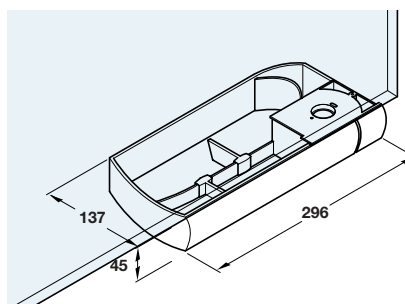


C Hanging bar sets (long) for desktop filing system

- To hold 3 x A4 trays
- For use with the desktop filing system trays
- Plastic

Finish	Cat. No.
Anthracite	818.56.310
Black	818.56.210

Order qty: 1 pair



D Swivel tray

- For mounting under shelf, cabinet base or worktop
- With 2 adjustable dividers
- Fixings supplied
- Strong durable plastic

Finish	Cat. No.
Opaque	547.60.700

Order qty: 1 pc

TCH 2013. © Häfele U.K. Ltd 2013. Dimensional data not binding. We reserve the right to alter specifications without notice.