

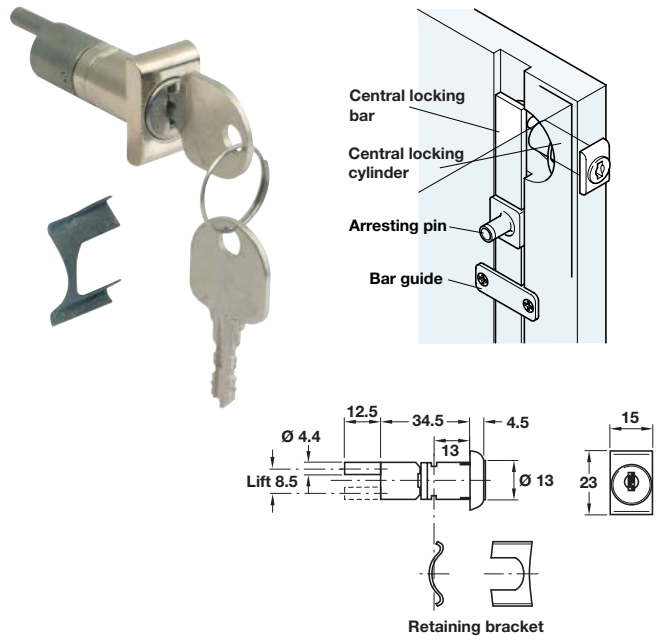
A Central locking push-button cylinder

- $\varnothing 22$ mm cylinder
- For installation in lock panel
- **Lock:** by pushing in the cylinder
- **Unlock:** by turning the key
- **5 pairs of pin tumblers** = 20,000 possible key changes
- Matt nickel-plated zinc alloy case
- Matt nickel-plated brass cylinder
- **Accessories:** 2 keys and 1 cylinder rosette

Random key changes	
Cat. No.	234.58.602
Keyed alike	Cat. No.
Key change H1	234.58.611

Order qty: 1 pc

Central locking accessories, bar guides and arresting pins are shown on pages 11-12

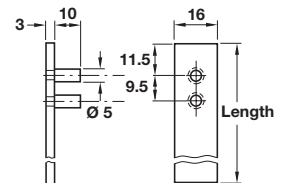


B Central locking rotary cylinder

- $\varnothing 13$ mm cylinder
- Indirect action
- For installation in cabinet side panel min. **19 mm**
- Key closure travel **180°**
- Lifting pin closure travel **180°**
- Key can be removed in locked or unlocked position
- **5 plate levers** = 200 possible key changes
- Bright zinc alloy case
- Matt nickel-plated zinc alloy cylinder
- **Accessories:** 2 keys

Random key changes	
Cat. No.	234.76.600
Keyed alike	Cat. No.
Key change FH1	234.76.619

Order qty: 1 pc



C Central locking bar

- For use with central locking rotary cylinder **B**
- Bright steel

Length	Cat. No.
600 mm	237.09.533
800 mm	237.09.551

Order qty: 1 pc