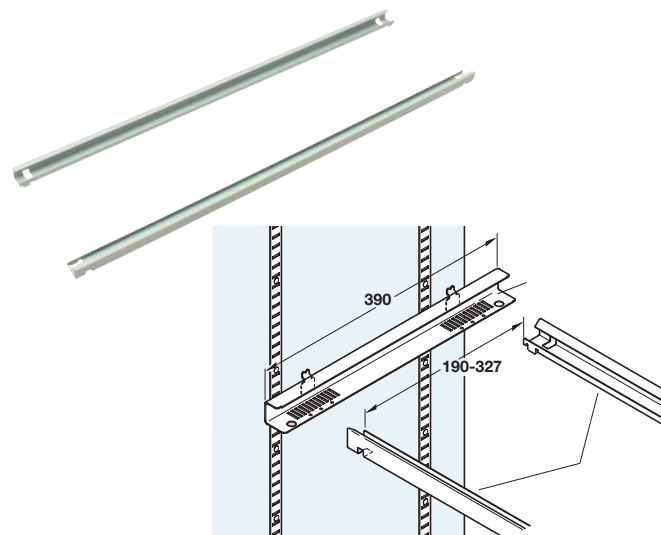


**A System 400 steel shelf**

- Slotted filing shelf for use with shelf supports for System 400
- Box type profile construction
- Epoxy coated steel

Format	2 x FC
Installation width	882 mm
Grey	424.94.557

Order qty: 1 pc

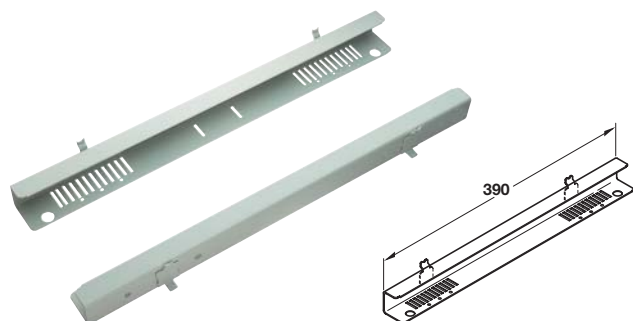


**C System 400 hanging rail**

- Lugs at the ends of the bars, slot into the end rails
- Epoxy coated steel

Format	2 x FC
Installation width	882 mm
Grey	424.71.554

Order qty: 1 pair



**B Filing end rails for System 400**

- With slots and holes for mounting hanging rails
- Lugs at the ends of the bars, slot into the end rails
- Spacing allows for A4 front to back format
- Epoxy coated steel

Finish	Cat. No.
Grey	424.70.502

Order qty: 1 pair

TCH 2013. © Häfele U.K. Ltd 2013. Dimensional data not binding. We reserve the right to alter specifications without notice.