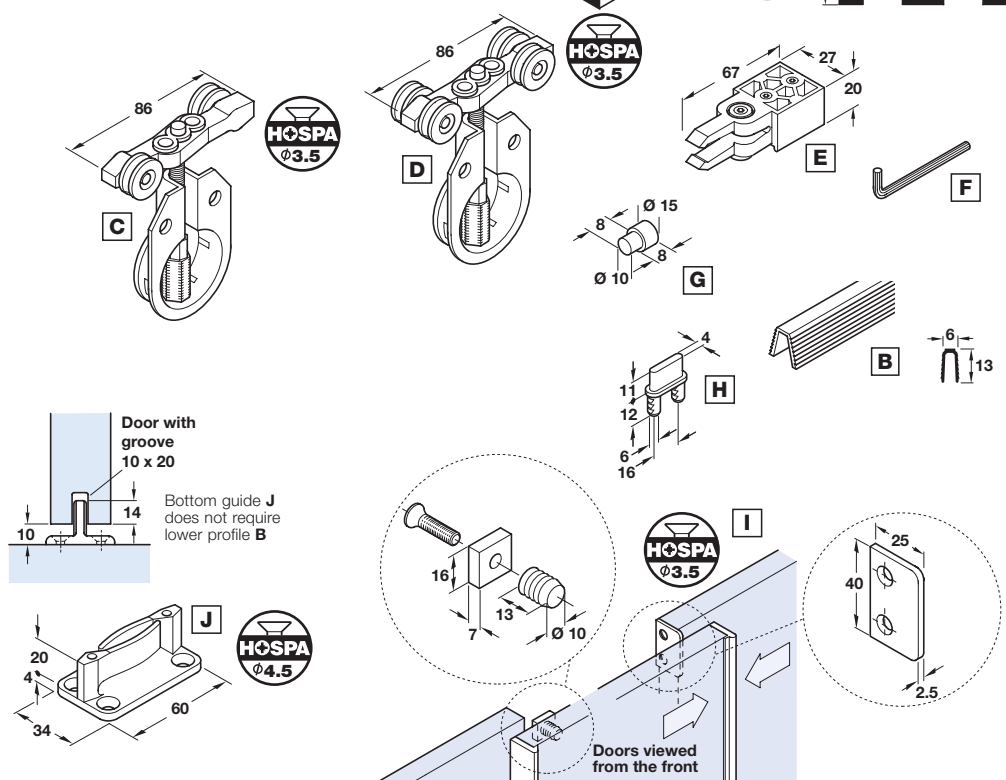
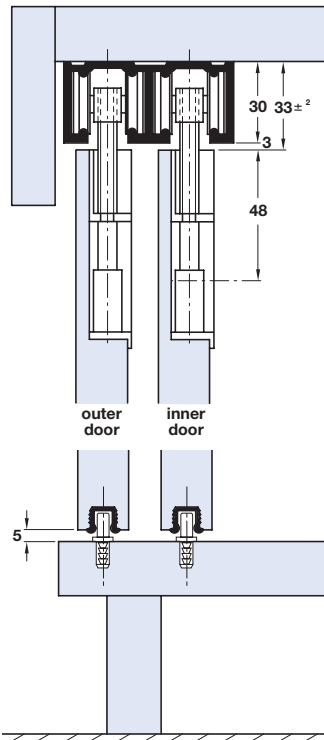
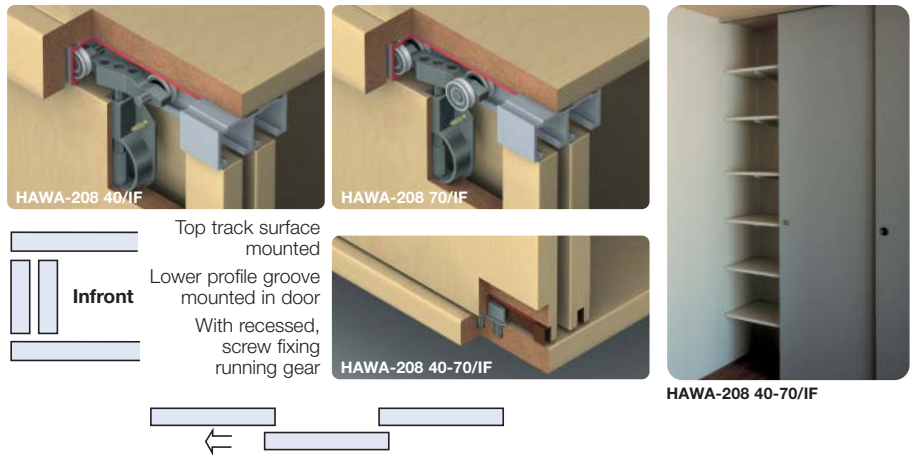


# Fittings for Straight Sliding Timber Cabinet Doors

## HAWA-208-40-70/IF Low Headroom Top Hung Fittings

- Application:** Top quality joinery and furniture, for restricted headroom situations
- Range:** Max. door weight **40/70 kg**  
Door thickness **19-30 mm**
- For multiple door layouts, order as follows:  
4 doors: 2 sets of 2 door fittings  
5 doors: 1 set each of 2 and 3 door fittings
- Trolley hangers comprising roller carriage with **two** or **four** ball bearing mounted concave rollers, threaded pin and recessed boss
- Follower comprises nylon plug, rubber buffer and fastening screw. Stop-plate in galvanized steel. To prevent door handles from collision whilst in use, the stop-plate is screw mounted to the inner door edge, while the stop is installed to the rear of the outer door
- Tracks, profiles and follower are not included in the fitting sets and must be ordered separately
- Each fitting set comes complete with installation drawing ref. **12389**, available separately if required



### HAWA-208 40-70/IF Infront tracks and profiles

Item	Description	Base material and finish	2.5 m	3.0 m	3.5 m
<b>A</b>	Double top track	Pre-drilled for screw mounting	406.25.910	-	406.25.929
<b>B</b>	Lower guide profile	Press-fit into groove in underside of door	-	406.73.103	-

### HAWA-208 40-70/IF Infront fittings sets

Item	Description	Base material and finish	For 2 doors	For 3 doors	
<b>C</b>	Trolley hanger, for inner or outer doors	for door weights up to <b>40 kg</b> , <b>two</b> rollers	Bright zinc alloy	4 pcs	6 pcs
<b>or D</b>	Trolley hanger, for inner or outer doors	for door weights up to <b>70 kg</b> , <b>four</b> rollers	Bright zinc alloy	4 pcs	6 pcs
<b>E</b>	Track stopper, for inner or outer doors	adjustable mounting in top track	Grey plastic	4 pcs	4 pcs
<b>F</b>	Allen key	for use to secure track stopper <b>E</b> in twin track	Steel	1 pc	1 pc
<b>G</b>	Rubber buffer	recess mounted in edge of door	White rubber	2 pcs	2 pcs
<b>H</b>	Single guide, for inner doors	screw mounted in recess in cupboard floor	Natural nylon	2 pcs	3 pcs
Door weights up to <b>40 kg</b>			406.23.621	406.23.630	
Door weights up to <b>70 kg</b>			406.23.729	406.23.738	
<b>I</b>	Follower	supplied separately	Galvanized steel	407.01.988*	
<b>J</b>	Bottom guide, clear threshold	for where a more robust guide is preferred	Black plastic	940.40.031*	

Order 1 set per 2 or 3 door application (order 1 pc per 3 door application\*)

Sliding Door Fittings for Furniture