



**Architectural Ironmongery Sales and Support:**

Telephone: **01788 548855** (all regions)  
 Telephone: **0208 418 2435** (London region)

**HAWA** is the world renowned Swiss manufacturer of high quality sliding hardware systems for furniture, wood, glass and metal constructions.

**Häfele** is HAWA's chosen partner and exclusive distributor within the U.K.

**Specialist Sales Team**

Because the range of fittings we offer is so comprehensive we have, at Häfele, a Specialist Sales Team to give you expert advice and service. The Team includes Dip GAI certificate holders and Registered Ironmongers who have years of experience supplying the industry.

We offer a comprehensive **free** scheduling service, a **free** recommendation and quotation service for all our systems, and technical advice.

**CPD seminars**

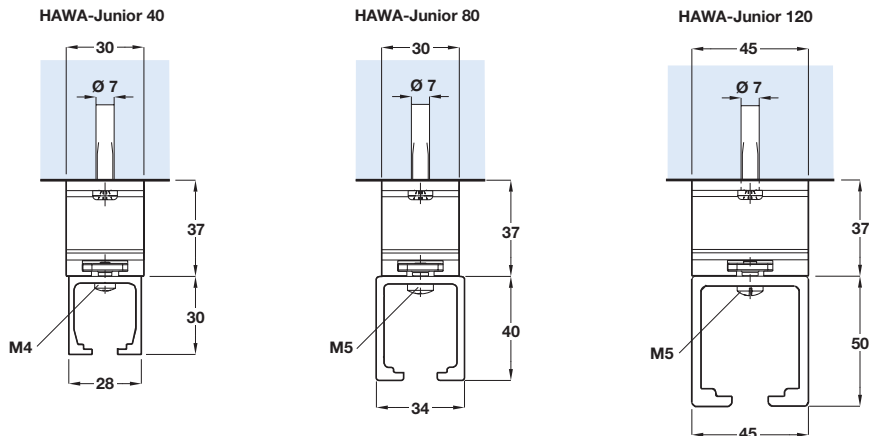
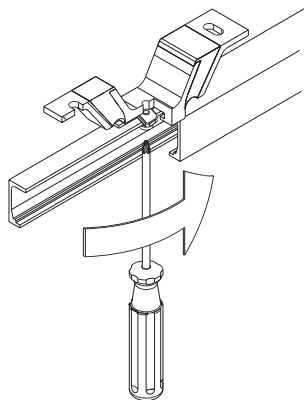
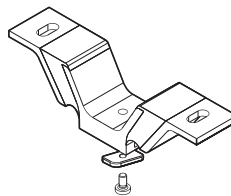
Häfele UK is a member of the **RIBA CPD Providers Network** and can currently offer the following **free** of charge seminars on:

- The what, why and where of sliding door gear
- Frameless glass fittings for doors, screens and canopies
- Defining electronic access control

For further information please contact us or e-mail [cpd@hafele.co.uk](mailto:cpd@hafele.co.uk)

- **HAWA-SoundEx**
- **HAWA-Junior** sliding door fittings are probably the quietest product on the market, however the sliding system can still transmit vibration to the building structure
- **HAWA-SoundEx** prevents mechanical noise from reaching the building structure, by 'acoustically removing' the track from the building structure.
- **HAWA-SoundEx** is available for all HAWA Junior systems; **HAWA-Junior 40, 80** and **120** shown on pages **20, 22** and **33**
- This system is particularly designed for new build apartments or flat conversions

**HAWA-SoundEx**



**A HAWA-SoundEx**

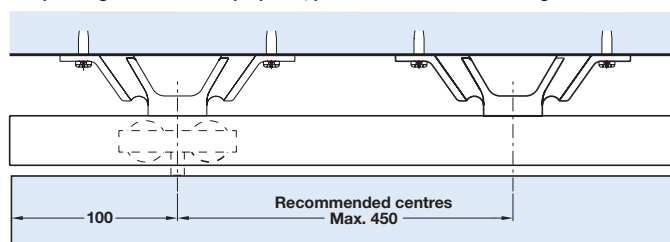
- Brackets are fitted to ceiling, top tracks then clamped to brackets using groove nuts and original holes - no additional drilling required
- Rubber layer within bracket absorbs vibration caused by motion of sliding door system
- For use with **HAWA-Junior 40, 80** or **120**
- Fixings for top track included
- Aluminium and black rubber

For use with	Cat. No.
<b>HAWA-Junior 40</b>	940.40.069
<b>HAWA-Junior 80</b>	940.80.069
<b>HAWA-Junior 120</b>	941.20.069

Order qty: 1 pc

**Planning/installation**

For planning and installation purposes, please use installation drawing code 19661



Recommended number of brackets; e.g. 5 for 2250 mm track