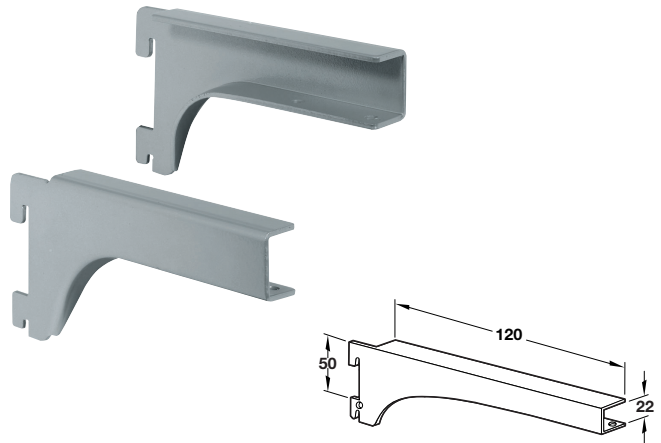




***Please note:**

The load bearing capacity shown only applies with evenly distributed loads

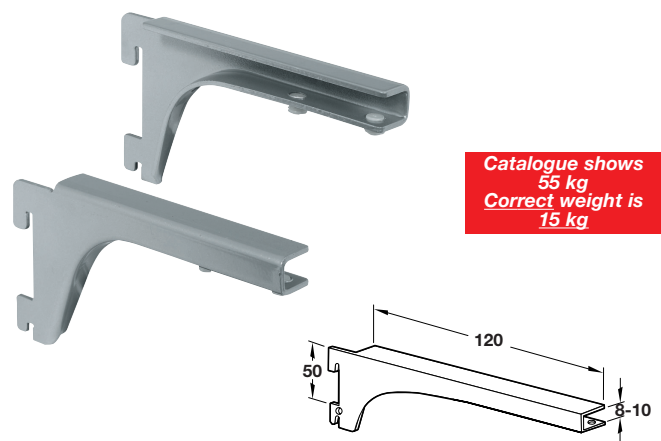


A Bracket

- For 22 mm thick wooden shelves
- Max. load carrying capacity **55 kg***
- Plastic coated

Finish	Silver coloured (RAL 9006)
Cat. No.	770.79.212

Order qty: 1 pair



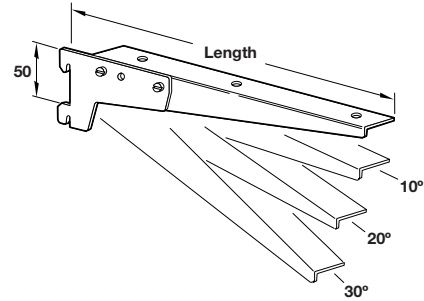
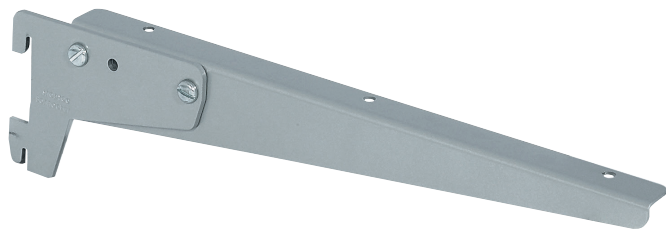
**Catalogue shows 55 kg
 Correct weight is 15 kg**

B Bracket

- For 8-10 mm thick glass shelves
- With clamping screws
- Max. load carrying capacity **15 kg***
- Plastic coated or chrome-plated steel

Finish	Chrome-plated	Silver coloured (RAL 9006)
Cat. No.	772.79.213	770.79.213

Order qty: 1 pair

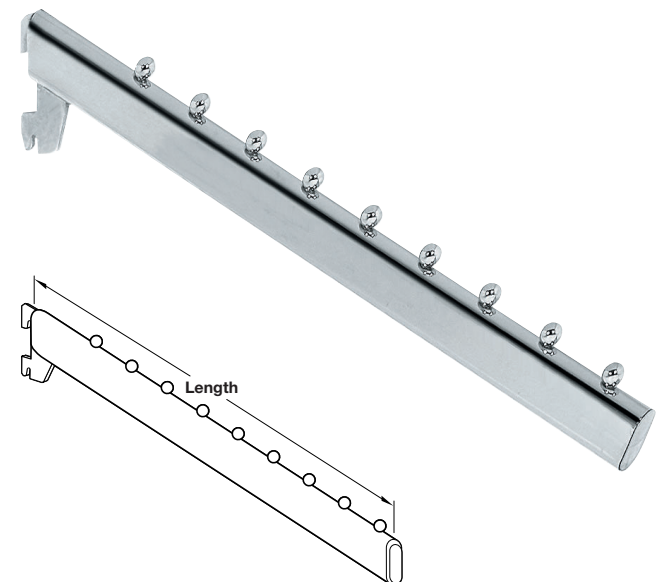


C Bracket

- With adjustable carrier arm, adjustable to 10°, 20° and 30°
- Max. load carrying capacity **55 kg***
- Plastic coated steel

Length	Silver coloured (RAL 9006)
250 mm	770.75.225
300 mm	770.75.230
400 mm	770.75.240

Order qty: 1 pair



D Inclined clothes hanger rail

- Inclined, with two hooks and nine hook-in positions
- For hooking into slots in wall channel or column
- Chrome-plated steel

Length	Cat. No.
400 mm	772.70.240

Order qty: 1 pc