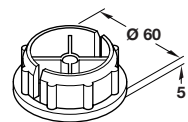


A Circular column, double slotted on four sides

- Ø 60 mm
- For use with all brackets
- Plastic coated steel

Length	Silver coloured (RAL 9006)
2210 mm	770.10.222

Order qty: 1 pc

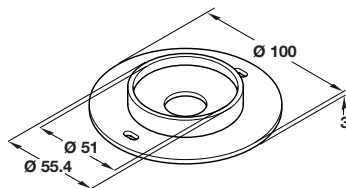


B Column insert, with M10 thread

- Plug fits into top or bottom round column Ø 60 mm
- For use with M10 ceiling screw and adjustment feet
- Can be used as column foot
- Zinc alloy

Finish	Bright
Cat. No.	770.10.282

Order qty: 1 pc

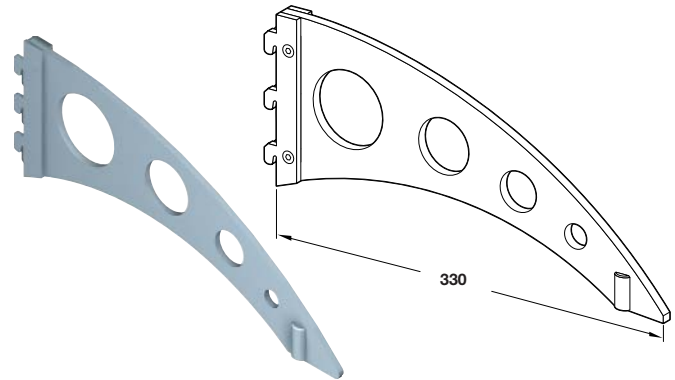


C Column foot

- For circular column Ø 60 mm
- Plastic coated steel

Finish	Silver coloured (RAL 9006)
Cat. No.	770.10.280

Order qty: 1 pc

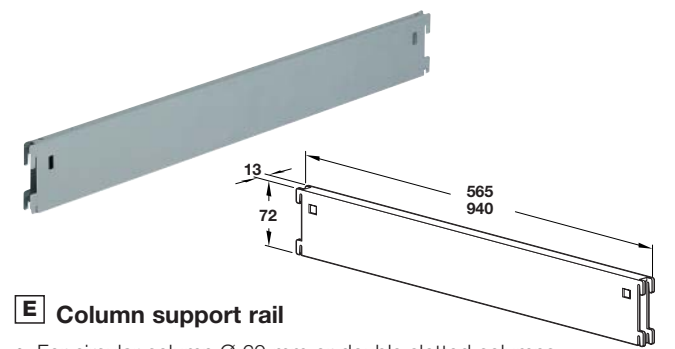


D Column foot with M10 thread

- For use with castors or height adjusting screws shown on page 9
- Plastic coated steel
- **Note:** For mobile shelving using castors, please secure to prevent disengagement of the foot

Finish	Silver coloured (RAL 9006)
Cat. No.	770.10.281

Order qty: 1 pc



E Column support rail

- For circular column Ø 60 mm or double slotted columns
- 2 plastic safety clips included
- Plastic coated steel

Length	Centres	Silver coloured (RAL 9006)
565 mm	625 mm	770.19.206
940 mm	1000 mm	770.19.210

Order qty: 1 pc