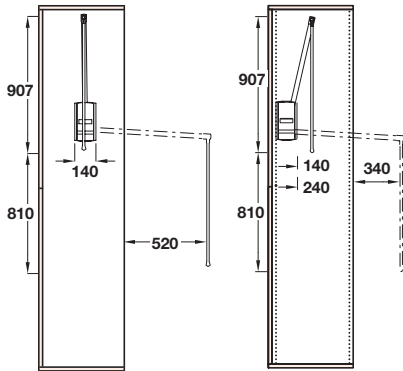
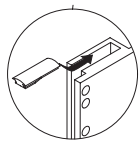




Note: Tilting device should only be used if fitting installed to rear of the cabinet



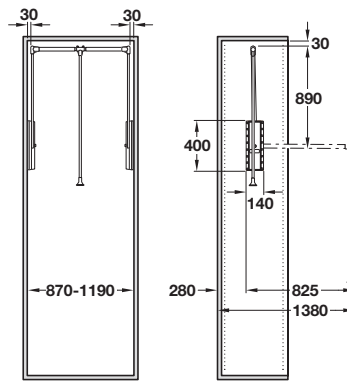
Pull down wardrobe rail

- Operated by pull rod - slides along rail
- Installed height: 845 or 850 mm
- Ø 22 mm hanging rail - adjustable, for different wardrobe widths
- Minimum load required 1.6 kg, maximum load capacity 10 kg
- Screw fixing to side panels
- **Please note:** All fixings must be used
- Steel wardrobe rail, plastic pull rod, housing and connecting parts



Installed height	845 mm	850 mm
Finish steel/plastic	Cat. No.	
For internal wardrobe width 440-610 mm	450-600 mm	
White aluminium/Grey	-	805.20.525
Nickel-plated/Black	805.20.326	805.20.324
For internal wardrobe width 630-1020 mm	600-830 mm	
White aluminium/Grey	-	805.20.532
Nickel-plated/Black	805.20.352	805.20.331
For internal wardrobe width 770-1200 mm	830-1200 mm	
White aluminium/Grey	-	805.20.557
Nickel-plated/Black	805.20.356	805.20.355

Order qty: 1 pc



Pull down wardrobe rail

- Operated by pull rod
- Ø 28 mm hanging rail - adjustable, for different wardrobe widths
- Minimum load required 5 kg, maximum load capacity 15 kg
- Screw fixing to side panel in 32 mm series drilled holes
- **Please note:** All fixings must be used
- Nickel plated steel, black plastic fittings



For internal wardrobe width	Cat. No.
870-1190 mm	805.24.330

Order qty: 1 set



Spacer frame

- For pull down wardrobe rails shown above, to compensate for door offset e.g. with inset doors
- Height x width x depth: 258 x 20 x 151 mm
- 20 mm width, stackable
- Plastic

Finish	Cat. No.
Grey	805.20.579
Black	805.20.378

Order qty: 1 pc