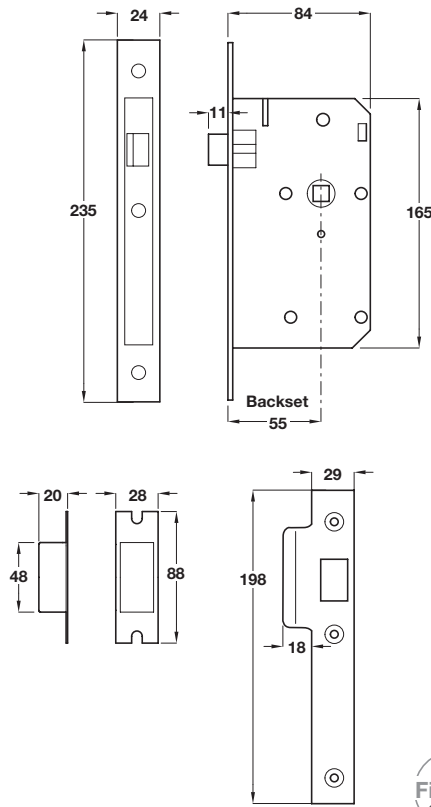


BS EN 12209

2	H	4	1*	0	F	1	B	0	2	0
---	---	---	----	---	---	---	---	---	---	---



Lever handles are shown from page 5

Rebate sets are shown on page 160

**Mortice latch**

- Conforms to BS EN 12209
- Latchbolt operated by lever handles
- Case: Black coated steel, 15 mm wide
- Forend: Square, 2 piece. Stainless steel or brass
- Strike plate: Square. Flat. Stainless steel or brass. Splinter guard included
- Latch bolt: Stainless steel. Easily reversible
- Follower: 8 mm. Suitable for both sprung and unsprung furniture. Gripping feature.
- Holed for bolt through furniture at 38 mm centres

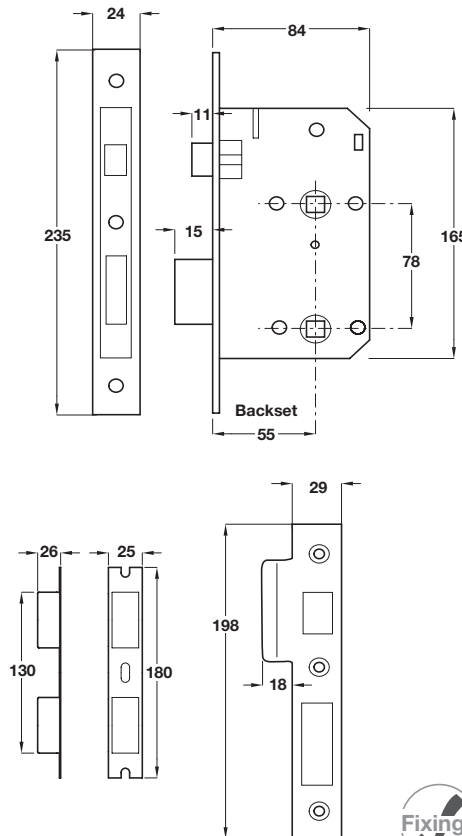
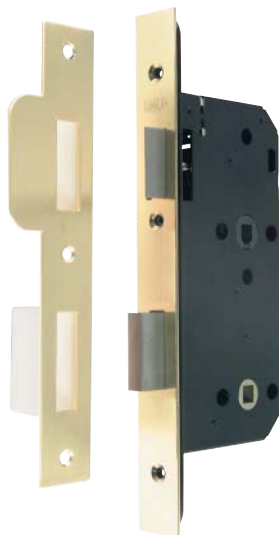
Backset 55 mm, case size 84 mm	
Finish	Cat. No.
Satin stainless steel	911.23.280
Polished brass	911.23.281

Order qty: 1 pc



BS EN 12209

2	H	4	1*	0	F	1	B	G	2	0
---	---	---	----	---	---	---	---	---	---	---



Lever handles are shown from page 5

WC sets are shown from page 5

Rebate sets are shown on page 160

**Mortice bathroom lock**

- Conforms to BS EN 12209
- Latchbolt operated by lever handles, deadbolt operated by turn/emergency release.
- Case: Black coated steel, 15 mm wide
- Forend: Square, 2 piece. Stainless steel or brass
- Strike plate: Square. Flat. Stainless steel or brass. Splinter guard included
- Latch bolt: Stainless steel. Easily reversible
- Deadbolt: Stainless steel. 15 mm throw
- Follower:
  - Latch - 8 mm. Suitable for both sprung and unsprung furniture. Gripping feature.
  - Deadbolt - 8 mm. For use with turn and release.
  - 5 mm adaptor included
- Holed for bolt through furniture at 38 mm centres

Backset 55 mm, case size 84 mm	
Finish	Cat. No.
Satin stainless steel	911.07.042
Polished brass	911.07.043

Order qty: 1 pc

