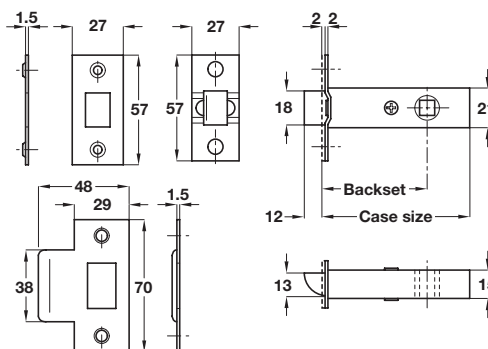
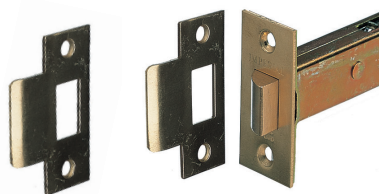


Lever handles are shown from page 5

Rebate sets are shown below

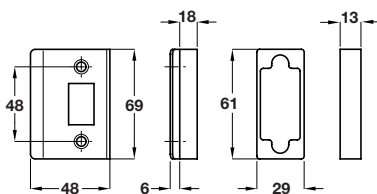
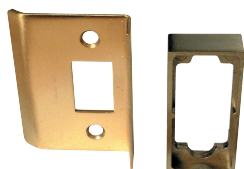


### Tubular mortice latch, heavy duty

- Latchbolt operated by lever handles
- Case: Epoxy polyester coated steel, 15 mm wide
- Forend: Square, 2 piece. Stainless steel or brass
- Strike plate: Square, flat. Included. Stainless steel or brass
- Latchbolt: Brass
- Follower: 8 mm chrome plated. Two way action. For use with unsprung furniture

Finish	Cat. No.
Backset 60 mm, case size 80 mm	
Stainless steel	911.03.310
Satin brass	911.03.311
Backset 75 mm, case size 100 mm	
Stainless steel	911.03.312
Satin brass	911.03.313
Backset 100 mm, case size 123 mm	
Stainless steel	911.03.314
Satin brass	911.03.315
Backset 130 mm, case size 152 mm	
Stainless steel	911.03.316
Satin brass	911.03.317

Order qty: 1 pc



### Heavy duty rebate set

- To suit heavy duty tubular mortice latch 911.03.31X shown above
- **Size 13 mm**
- Mild steel/aluminium

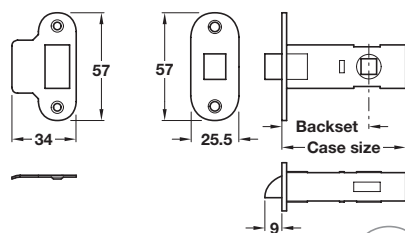
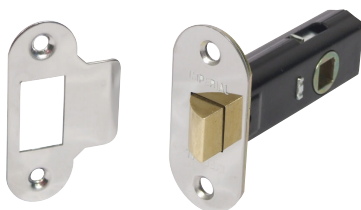
Finish	Cat. No.
Silver anodised	911.03.320
Gold anodised	911.03.319

Order qty: 1 pc



Lever handles are shown from page 5

Rebate sets are not available for this latch



### Tubular mortice latch

- Latchbolt operated by lever handles from both sides
- Case: Steel. Epoxy polyester powder coated
- Forend: Radius. Flat. Nickel plated stainless steel
- Strike plate: Radius, flat. Included
- Latchbolt: Brass. 12 mm throw. To suit either hand.
- Follower: Diecast zinc. Two way action. For use with sprung furniture

Finish	Cat. No.
Backset 46 mm, case size 63 mm	
Nickel plated stainless steel	911.03.430
Backset 58 mm, case size 79 mm	
Nickel plated stainless steel	911.03.431

Order qty: 1 pc



TCH 2013. © Häfele U.K. Ltd 2013. Dimensional data not binding. We reserve the right to alter specifications without notice.

5 Architectural Ironmongery: Locking and Security