

Electric bolt

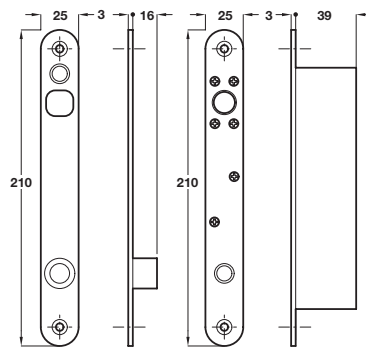
- Provides concealed high security locking
- Fail unlocked/power to lock
- 15 mm bolt throw
- 12V DC $\pm 15\%$
- Activating current 1000 mA
- Holding current 250 mA
- Built in transient and reverse polarity protection
- Can be set for 0, 3, 6 or 9 seconds unlock period
- Stainless steel bolt

	Cat. No.
Electric bolt	912.01.052

Order qty: 1 pc



Ultra slim design



Deadlocking bolt

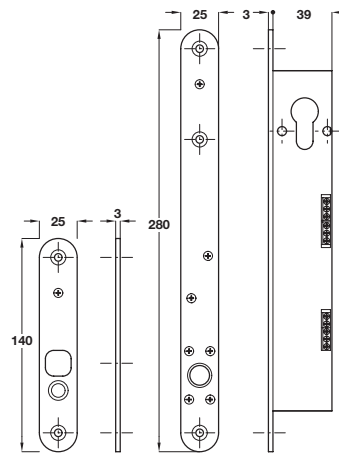
- Dual monitoring for bolt and door position switches
- Holding force 1000 kg
- Provides concealed high security locking
- Fail unlocked/power to lock
- 16 mm bolt throw
- Any voltage from 12V -10% -24V $+15\%$ DC
- Built-in transient and reverse polarity protection
- Automatic 8 seconds unlock period

	Cat. No.
Deadlocking bolt	912.05.501

Order qty: 1 pc



Ultra slim design



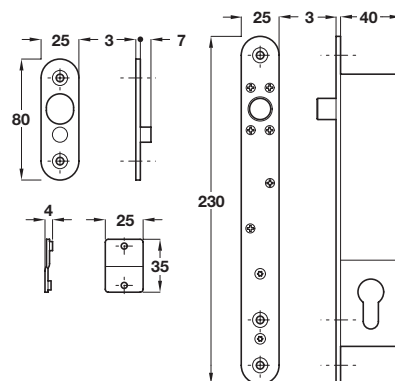
Deadlocking bolt, for key override

- Dual monitoring for bolt and door position switches
- Holding force 1000 kg
- Provides concealed high security locking
- 16 mm bolt throw
- Any voltage from 12V -10% -24V $+15\%$ DC
- Built-in transient and reverse polarity protection
- Automatic 8 seconds unlock period
- Maintained key override using standard euro profile cylinder (not included - see page 182)

Lock type	Fail locked	Fail unlocked
Cat. No.	912.05.502	912.05.503

Order qty: 1 pc

Suitable for sliding or swing, single or double action timber, metal and UPVC doors



Solenoid bolt, for key override

- Provides concealed high security locking
- Holding force 1000 kg
- Fail unlocked/power to lock
- 14 mm bolt throw
- Any voltage from 12V-24V DC
- Built in transient and reverse polarity protection
- Can be set to 0, 3, 6 or 9 seconds unlock period (DIP switch)
- Maintained key override using standard euro profile cylinder (not included - see page 182)

	Cat. No.
Solenoid bolt	912.05.500

Order qty: 1 pc

TCH 2013. © Häfele U.K. Ltd 2013. Dimensional data not binding. We reserve the right to alter specifications without notice.