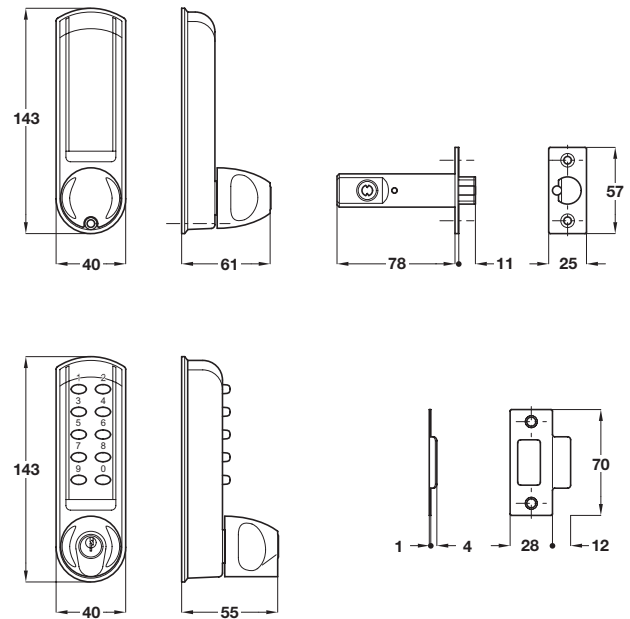
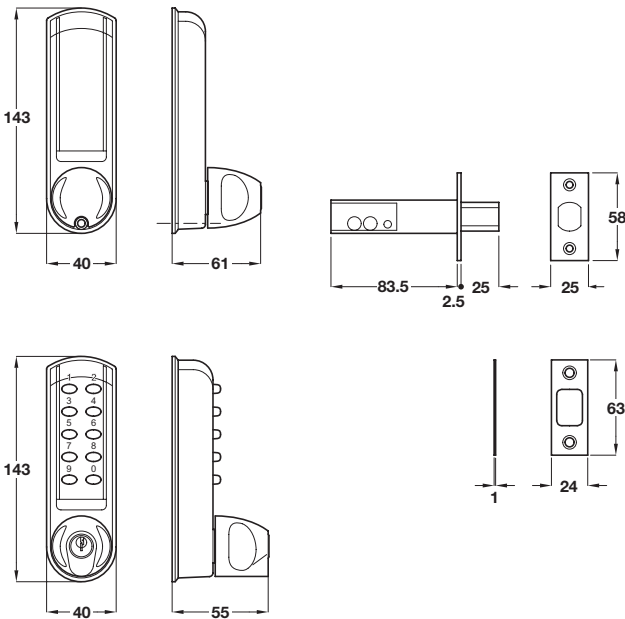


5

Architectural Ironmongery: Access Control



Electronic mortice deadbolt codelock, medium duty

- Rapid retrofit electronic upgrade for the majority of basic single code mechanical digital locks
- On door programming via Master Code in seconds
- Can store up to 80 different 4, 5 or 6 digit user codes
- Allows up to 10 one-time user codes to be entered
- Over 80,000 user operations from one set of 2x AA batteries
- Key override as standard
- Code free (passage) mode can be programmed using the Master Code
- Includes: 1x front access device, 1x rear exit device, 1x tubular mortice deadbolt, 1x strike plate, 2x keys, 2x AA batteries
- Non handed
- Steel

Finish	Cat. No.
Brushed steel	912.06.812

Order qty: 1 pc

Electronic tubular mortice codelock, medium duty

- Rapid retrofit electronic upgrade for the majority of basic single code mechanical digital locks
- On door programming via Master Code in seconds
- Can store up to 80 different 4, 5 or 6 digit user codes
- Allows up to 10 one-time user codes to be entered
- Over 80,000 user operations from one set of 2x AA batteries
- Key override as standard
- Code free (passage) mode can be programmed using the Master Code
- Remote release REM 1 is used to open the lock from a reception desk button
- Alarm release REM 2 which on activation will set the lock in passage function for 30 minutes before automatically reverting back to code only
- Includes: 1x front access device, 1x rear exit device, 1x tubular mortice latch, 1x strike plate, 2x keys, 2x AA batteries
- Non handed
- Steel

Finish	Cat. No.
Brushed steel	912.06.810

Order qty: 1 pc

TCH 2013, © Häfele U.K. Ltd 2013. Dimensional data not binding. We reserve the right to alter specifications without notice.