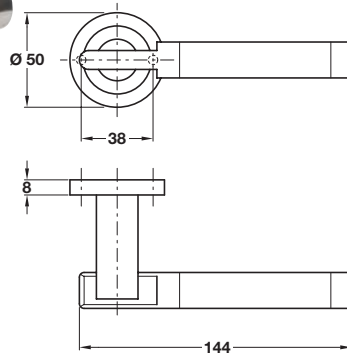


Escutcheons and WC sets to suit these StarTec lever handles are shown below.



StarTec IBIS straight lever handles

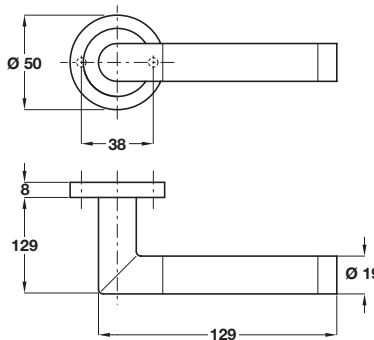
- Pair of lever handles and 'euro-fix' roses
- Grub screw fixing on 8 mm spindle
- Sprung, for use with standard duty followers
- To suit doors **35-44 mm** thick
- 304 stainless steel

Finish	Cat. No.
Polished/satin stainless steel	902.21.651

Order qty: 1 pair

5

Architectural Ironmongery: Door Furniture

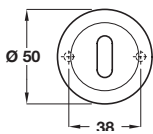


SCALA mitred straight lever handles

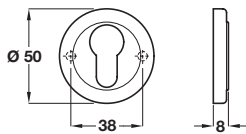
- Pair of lever handles and 'euro-fix' roses
- Grub screw fixing on 8 mm spindle
- Sprung, for use with standard duty followers
- To suit doors **35-44 mm** thick
- 304 stainless steel

Finish	Cat. No.
Polished/satin stainless steel	902.21.481

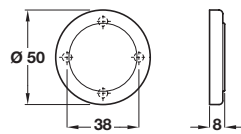
Order qty: 1 pair



Standard keyway escutcheon



Euro profile cylinder escutcheon



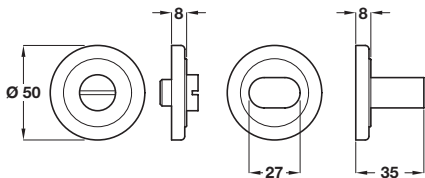
Blank escutcheon

StarTec IBIS lever handle accessories

- **Escutcheons:** Fixings included
- **WC/emergency release and inside turn:**
To suit doors **35-44 mm** thick
8 mm spindle and fixings included
- 304 stainless steel

Finish	Polished/Satin
Standard keyway escutcheon	
Cat. No.	902.51.483
Profile cylinder escutcheon	
Cat. No.	902.52.483
Blank escutcheon	
Cat. No.	902.54.483
WC release and inside turn*	
Cat. No.	902.53.483

Order qty: 1 pair (*set)



WC release and inside turn

TCH 2013, © Häfele U.K. Ltd 2013. Dimensional data not binding. We reserve the right to alter specifications without notice.