

StarTec CARLO pull handle

- Single pull handle
- Bolt through fixing
- M6 through fixing bolts included
- To suit doors **8-47 mm** thick
- Satin stainless steel

Length	Hole centres	Cat. No.
465 mm	450 mm	903.03.264
615 mm	600 mm	903.03.266

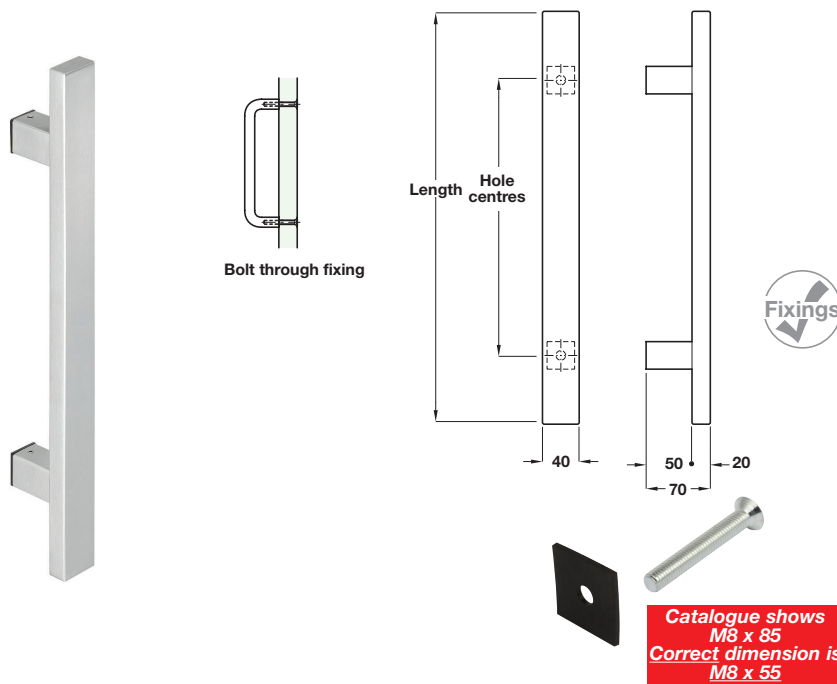
Order qty: 1 pc

StarTec CARLO fixing set for other door thicknesses

- To suit doors **33-77 mm** thick
- One sided installation
- Bolt through fixing

Dimensions	Cat. No.
M6 x 90 mm	909.00.331

Order qty: 1 pc (will fix one pull handle)



StarTec CLAUDIO pull handle

- Single pull handle
- Bolt through fixing
- M8 through fixing bolts included
- To suit doors **40-57 mm** thick
- Matt stainless steel

Length	Hole centres	Cat. No.
450 mm	300 mm	903.03.463
600 mm	450 mm	903.03.464

Order qty: 1 pc

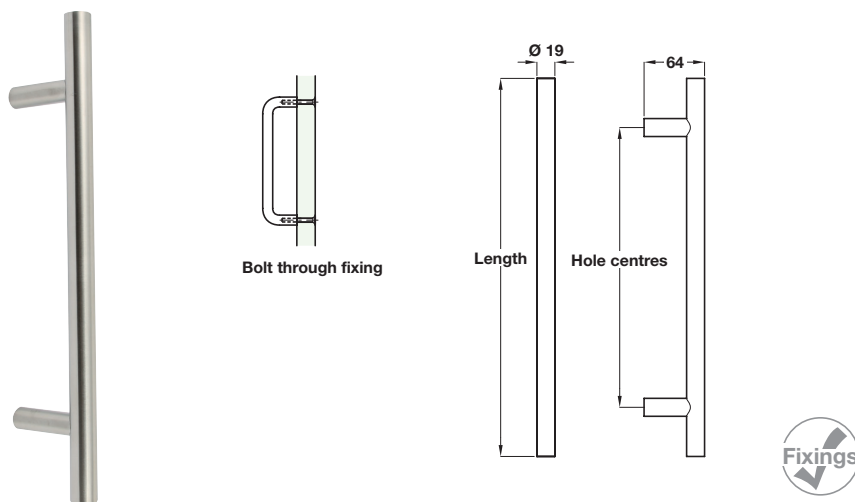
StarTec Claudio fixing set for other door thicknesses

- To suit doors **25-42 mm** thick
- One sided installation
- Bolt through fixing

Dimensions	Cat. No.
M8 x 55	909.00.381

Order qty: 1 pc (will fix one pull handle)

**Catalogue shows
M8 x 85
Correct dimension is
M8 x 55**



Ø 19 mm Guardsman pull handle

- Bolt through fixing
- To suit doors **up to 44 mm** thick
- Satin stainless steel

Length	Hole centres	Cat. No.
325 mm	225 mm	903.03.810
400 mm	300 mm	903.03.812

Order qty: 1 pc

TCH 2013. © Häfele U.K. Ltd 2013. Dimensional data not binding. We reserve the right to alter specifications without notice.