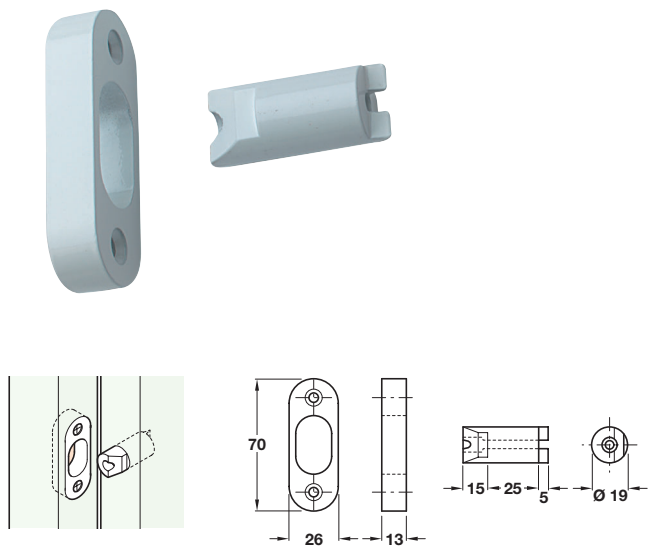


Catalogue shows
58 mm & 69 mm
Correct dimensions are
61 mm & 74 mm



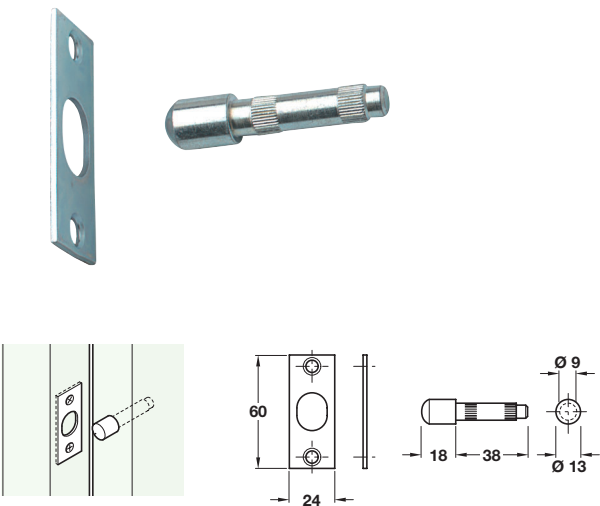
Hinge bolt

- Only available in pairs
- For use on external outward opening doors
- Fixed to the hinge stile and frame and set between top/centre and centre/bottom hinges
- Stud fixed to door
- Plate is screw fixed to frame
- Coated steel



Finish	Cat. No.
White	911.42.040

Order qty: 1 pair



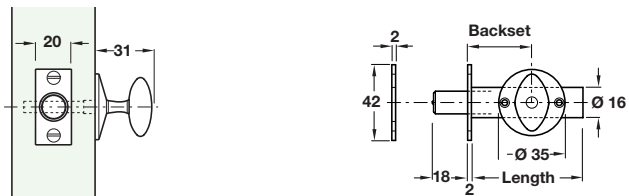
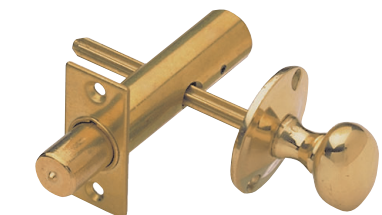
Hinge bolt

- Only available in pairs
- For use on external outward opening doors
- Fixed to the hinge stile and frame and set between top/centre and centre/bottom hinges
- Stud fixed to door
- Plate is screw fixed to frame
- Coated steel



Finish	Cat. No.
Chrome	911.42.041

Order qty: 1 pair



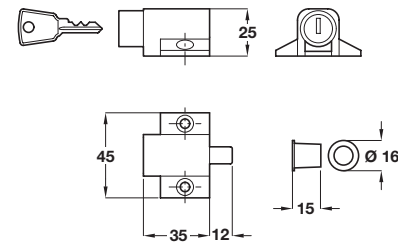
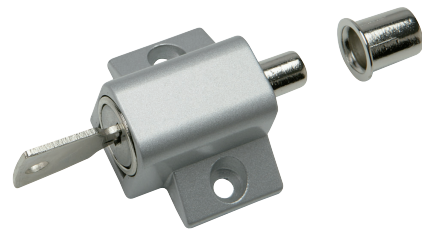
Mortice door security bolt with knob

- For extra security fit two bolts to each external door, one at high and one at low level.
- The bolts are morticed into the lock stile of the door and are operable from inside only.
- **Do not use on external outward opening doors**
- Oval knob turn operated
- Brass



Backset	32 mm	45 mm	57 mm
Length	61 mm	74 mm	86 mm
Polished brass	911.62.276	911.62.277	911.62.609
Satin chrome	911.62.483	911.62.484	911.62.610
Polished chrome	911.62.485	911.62.486	911.62.611

Order qty: 1 set



Please note there is a **±3 mm tolerance** on dimensions shown.

Patio door lock

- To suit timber, metal and PVCu hinged and sliding doors
- Press to lock, key to unlock
- Saw resistant
- Ferrule included
- Cut key included
- Steel



Finish	Cat. No.
Silver	971.00.801
White	971.00.807

Order qty: 1 pc

TCH 2013. © Häfele U.K. Ltd 2013. Dimensional data not binding. We reserve the right to alter specifications without notice.