

BS EN 1935

3	7	4	1	1	4	0	11
---	---	---	---	---	---	---	----

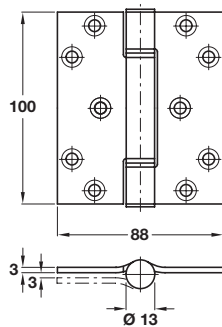
HI-LOAD Stainless steel 3 knuckle butt hinge

- Staggered hole pattern
- Grade 11 BS EN 1935
- Certifire CF209 approved for fire doors up to 1 hour
- Maximum adjusted door weight 80 kg
- Minimum door thickness 35 mm
- Square corners
- 25 year performance guarantee
- Ø 4 x 30 mm wood screws included
- Maintenance free carbon steel/bronze flanged bushes
- Grade 304 stainless steel



Length x width	100 x 75 mm
Finish	Satin
Cat. No.	926.88.110

Order qty: 1 pc



BS EN 1935

4	7	5	1	1	4	0	13
---	---	---	---	---	---	---	----

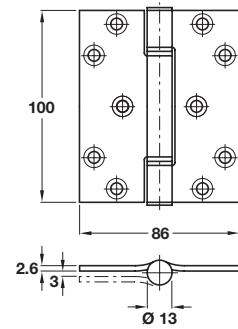
HI-LOAD Stainless steel 3 knuckle butt hinge

- Staggered hole pattern
- Grade 13 BS EN 1935
- Certifire CF209 approved for fire doors up to 1 hour
- Maximum adjusted door weight 120 kg
- Minimum door thickness 44 mm
- Square corners
- 25 year performance guarantee
- Ø 5 x 30 mm wood screws included
- Maintenance free carbon steel/bronze flanged bushes
- Grade 304 stainless steel



Length x width	100 x 88 mm
Finish	Satin
Cat. No.	926.88.000

Order qty: 1 pc



BS EN 1935

4	7	5	1	1	2	0	12
---	---	---	---	---	---	---	----

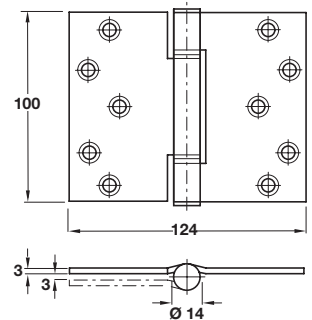
HI-LOAD Stainless steel 3 knuckle butt hinge

- Staggered hole pattern
- Grade 12 BS EN 1935
- Certifire CF209 approved for fire doors up to 1 hour
- Maximum adjusted door weight 100 kg
- Minimum door thickness 40 mm
- Square corners
- 25 year performance guarantee
- Ø 5 x 30 mm wood screws included
- Maintenance free carbon steel/bronze flanged bushes
- Grade 304 stainless steel



Length x width	100 x 86 mm
Finish	Satin
Cat. No.	926.88.010

Order qty: 1 pc



BS EN 1935

4	7	5	1	1	4	0	13
---	---	---	---	---	---	---	----

HI-LOAD Stainless steel 3 knuckle projection hinge

- Staggered hole pattern
- Grade 13 BS EN1935
- Certifire CF209 approved for fire doors
- Maximum adjusted door weight 120 kg
- Minimum door thickness 44 mm
- Maximum clearance 58 mm
- Square corners
- 25 year performance guarantee
- Ø 5 x 30 mm wood screws included
- Maintenance free carbon steel/bronze flanged bushes
- Grade 304 stainless steel



Length x width	100 x 124 mm
Finish	Satin
Square corners	926.88.120

Order qty: 1 pc

5

Architectural Ironmongery: Hinges