

Keypunch locks - security without keys

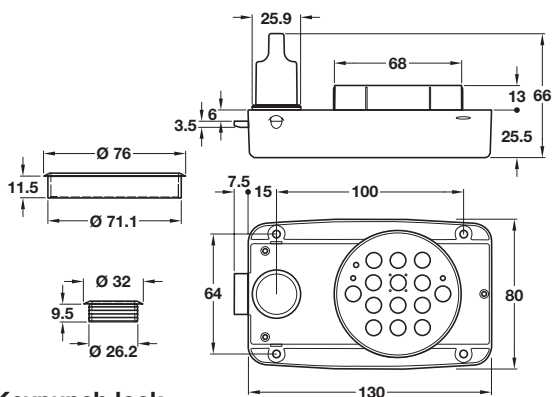
• Features:

- Ideal for all cabinets in interior spaces such as leisure centres
- The user closes and opens the cabinet by entering a code which they compose themselves
- The next cabinet user will enter their own new code

• Advantages:

- No key to lose or damage
- No coins or cards are necessary

• Keypunch lock accessories, including striking plates, batteries, screwdriver and espagnolette fittings are shown right and on page 56



A Keypunch lock

- For doors opening to the right
- For wood thickness 12 - 16 mm
- Bolt length 15 mm
- Other wood thicknesses and bolt lengths are available - information upon request
- Includes:
 - 2 x rosettes
 - 1 x pin key wrench size 2.5
 - 4 x screws
 - 1 x set of instructions
- **Batteries are not included** - item **D**
- **Espagnolette fittings are not included** - refer to page 24
- Anthracite RAL 7016

Item	Cat. No.
Keypunch lock, standard version	225.37.010
Keypunch lock, espagnolette version	225.37.020

Order qty: 1 pc



B Battery box

- Plug in emergency backup

	Cat. No.
Battery box	225.37.900

Order qty: 1 pc



C Screw driver

- Ball headed screw driver with hexagon socket wrench size 2.5
- Use this screw driver to unscrew the casing for the battery to be replaced

	Cat. No.
Screw driver	006.28.362

Order qty: 1 pc



D AA battery

- Alkaline manganese, 1.5 Volt type E91
- 4 pcs required for 1 Dialock LockerLock
- Batteries will require changing after approx. 10,000 locking cycles
- If battery is flat the LockerLock will not lock
- Batteries can only be changed with screw driver item **C**

	Cat. No.
AA battery	910.54.980

Order qty: Multiples of 10 pcs

TCH 2013. © Häfele U.K. Ltd 2013. Dimensional data not binding. We reserve the right to alter specifications without notice.