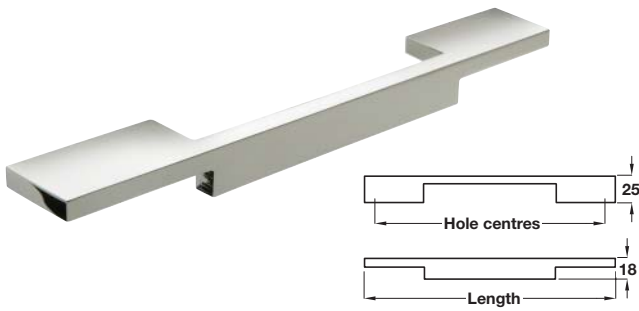


Pull handle

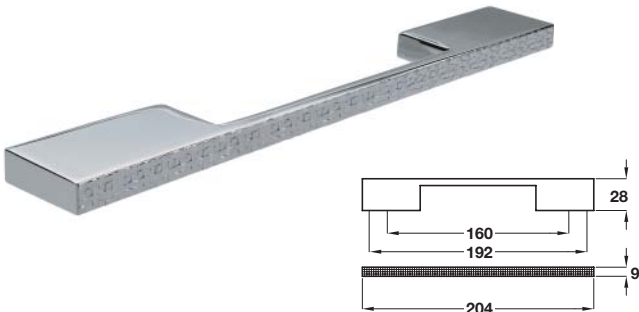


- > Aluminium, polished chrome finish
- > Order qty: 1 pc



Length	Hole centres	Cat. No.
210 mm	192 mm	112.90.234
300 mm	288 mm	112.90.237
400 mm	384 mm	112.90.238
500 mm	480 mm	112.90.239

DISCO Pull handle

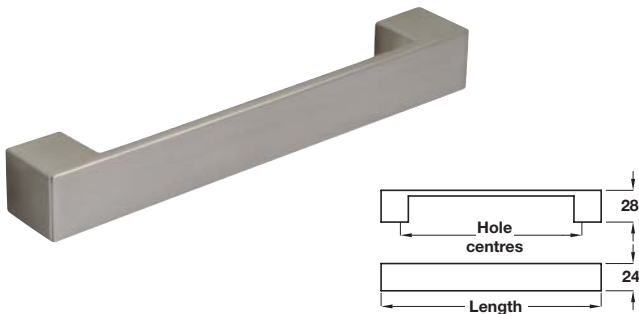


- > Zinc alloy
- > Order qty: 1 pc



Finish	Cat. No.
Polished chrome	110.22.243

D handle

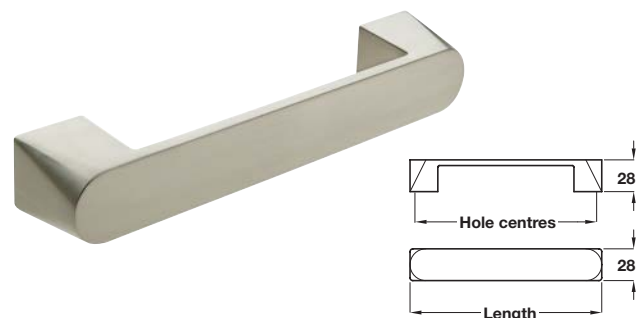


- > Zinc alloy
- > Order qty: 1 pc



Length	Hole centres	St. steel effect	Polished chrome
194 mm	160 mm	111.34.053	111.34.253
226 mm	192 mm	111.34.064	111.34.264

GEOMETRIC D handle



- > Zinc alloy, brushed nickel finish
- > Order qty: 1 pc



Length	Hole centres	Cat. No.
170 mm	160 mm	108.70.663
234 mm	224 mm	108.70.665
330 mm	320 mm	108.70.668

DECORATIVE HANDLES 2013, © Häfele U.K. Ltd 2013. Dimensional data not binding. We reserve the right to alter specifications without notice.