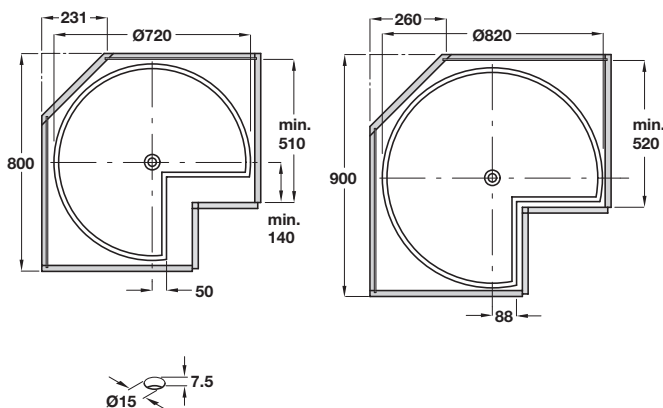




## Three-quarter circle carousel set



Upper and lower drilling diagram

- > Two sizes of shelf and two height adjustable fittings sets available
- > For fitting in cabinets with hinged doors
- > Shelves swivel together and not independantly of each other
- > Each tray has 25 kg carrying capacity
- > Set includes:
  - 2x Three-quarter circle carousel shelves, white or grey plastic
  - 1x Fitting set comprising spindle, vertically adjustable from 667 to 713 mm or 708 to 754 mm, upper and lower fittings, shelf bearings and brake mechanism. Fittings attach the spindle to the cabinet at the top and base. Chrome-plated steel spindle. White or grey plastic fittings, shelf bearings and brake mechanism
- > Order qty: 1 pc



For cabinet size	White	Grey
<b>Spindle height 667-713 mm</b>		
800 x 800 mm	541.41.711	541.41.511
900 x 900 mm	541.41.712	541.41.512
<b>Spindle height 708-754 mm</b>		
800 x 800 mm	541.41.721	-

## Revolving fitting



- > For customers own design carousel shelves
- > Comprises spindle, upper and lower screw mounted bearings and two Ø120 mm mounting plates which can be secured at any height
- > Nickel-plated steel spindle, galvanized steel mounting plates and white plastic bearings
- > Order qty: 1 set

Height	Cat. No.
700 mm	501.01.007