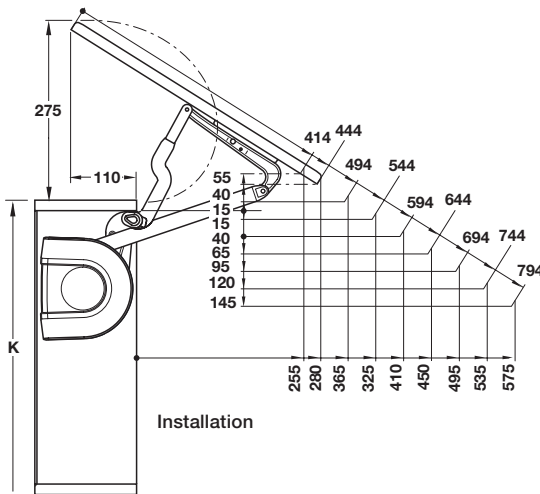


## Verso 3684 swing up fitting

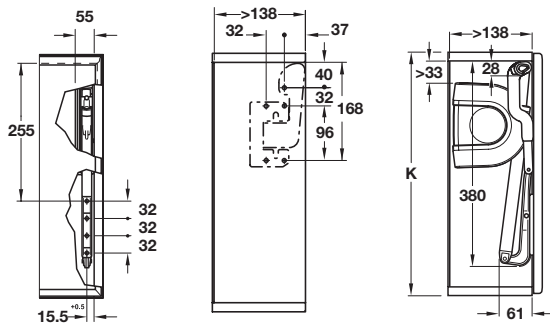


- > For one-piece flaps made of wood or with aluminium frame
- > Supplied with:
  - 1x Pair swing up front fitting
  - 2x Cover caps
  - 2x Clip-on brackets
  - Installation instructions
- > Height and side adjustment  $\pm 3$  mm, tilt, holding power and opening angle adjustment facility
- > Requires 1x cross bar, see below
- > Fitting: silver coloured anodized steel, cover cap: Grey plastic, similar to RAL 9006
- > Order qty: 1 set



Sample measurements table for max. flap weight

Model	A	B	C	D
Flap height	Flap weight (kg)			
420-550 mm	2.0-4.0	4.0-8.0	6.0-10.0	8.0-17.0
550-650 mm	2.0-3.5	3.5-7.0	6.0-10.0	9.0-16.0
650-800 mm	-	3.0-6.5	5.0-10.0	9.0-15.0



Model	Cat. No.
A	372.67.801
B	372.67.802
C	372.67.803
D	372.67.804

## Cross bar



- > For use with Verso 3684
- > For connecting both fitting components
- > Side panel thickness W: 16/19 mm
- > Silver coloured anodized aluminium
- > Order qty: 1 pc

Suitable for flap width	Length	Cat. No.
600 mm	477 mm	372.67.983
900 mm	777 mm	372.67.985
1200 mm	1077 mm	372.67.987
1500 mm	1377 mm	372.67.989
1800 mm	1677 mm	372.67.990



> Order mounting bracket separately if mounting on aluminium frames, shown on page 25