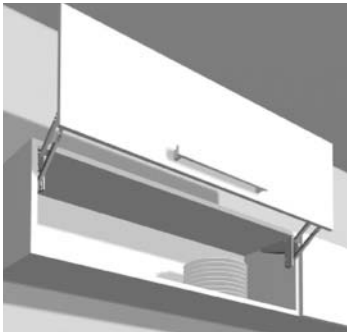
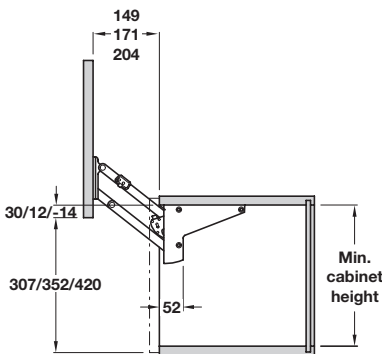


# PARALLEL LIFT UP FITTINGS

## Parallel lift up flap fitting



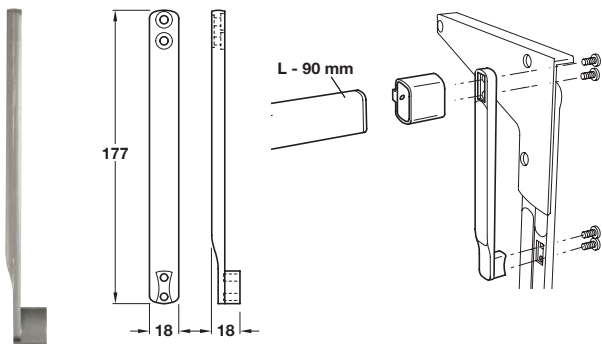
- > For straight lifting of door panels used on wall units
- > Set consists of 2 handed lift up fittings with piston on each
- > Suitable for cabinet widths 600-1800 mm
- > Suitable for cabinet heights from 320 mm
- > Fixing screws included
- > Aluminium coloured zinc alloy
- > Please see the table below for dimensions and load carry capacities
- > Other versions to suit flap weights of up to 16 kg are available on request
- > Order qty: 1 set



Flap fitting	Min. cabinet height	Min. flap height	Piston strength	Min. flap weight	Max. flap weight
372.69.901	320 mm	360 mm	300N	6 kg	9 kg
372.69.902	350 mm	390 mm	350N	6.5 kg	9 kg
372.69.903	390 mm	440 mm	450N	8 kg	10.5 kg

For min. flap height	Cat. No.
360 mm	372.69.901
390 mm	372.69.902
440 mm	372.69.903

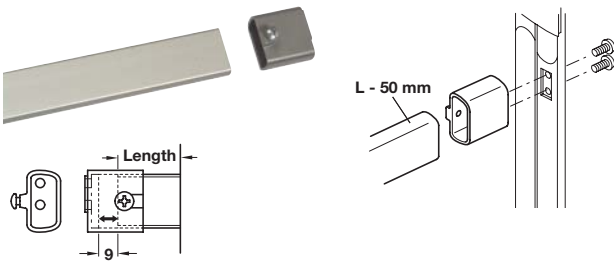
## Deflector set for framed glass doors



- > For use with crossbar 372.69.990 and lift up flap fittings 372.69.901/2/3
- > Raises and conceals crossbar behind frame of door
- > Aluminium coloured steel
- > Order qty: 1 set

Finish	Cat. No.
Aluminium coloured steel	372.69.991

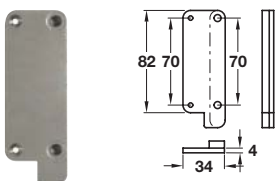
## Cross bar, 2000 mm



- > For use with lift up flap fittings 372.69.901/2/3
- > Helps support and stabilise the door when it is being lifted
- > Can be cut to length
- > Aluminium coloured steel
- > Order qty: 1 length

Finish	Cat. No.
Aluminium coloured steel	372.69.990

## Fitting set for framed glass doors



- > For connecting lift up flap fittings 372.69.901/2/3 to an aluminium framed glass door
- > Aluminium coloured steel
- > Order qty: 1 set

Finish	Cat. No.
Aluminium coloured steel	372.69.992