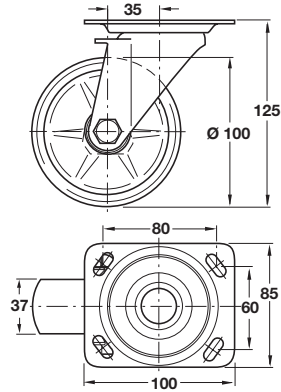


## Swivel castor, Ø 100 mm wheel, plate fixing



- > With screw on 100 x 85 mm mounting plate
- > Two enclosed ball races are fitted in the ring mount
- > Galvanized steel bracket
- > Black polypropylene wheel with friction bearing on steel spindle and hollow steel hub
- > Order qty: 1 pc

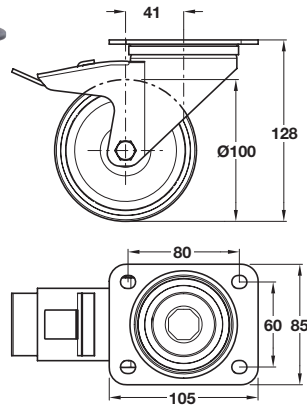


Wheel Ø	Load capacity	Without brake
Ø 100 mm	125 kg	670.01.414

## Swivel castor, Ø 100 mm wheel, plate fixing



Photo shows version with brake

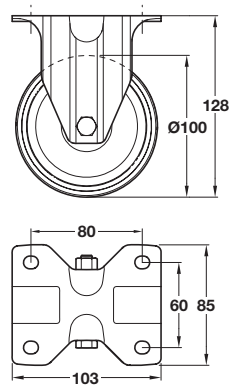


- > With screw on 105 x 85 mm mounting plate
- > Double ball bearing swivel head
- > Stainless steel housing, white polyamide wheel and stainless steel brake
- > Order qty: 1 pc



Wheel Ø	Load capacity	Without brake	With brake
Ø 100 mm	200 kg	670.04.002	670.04.012

## Fixed castor, Ø 100 mm wheel, plate fixing



- > With screw on 103 x 85 mm mounting plate
- > Fixed castor; without swivel
- > Stainless steel housing with white polyamide wheel
- > Order qty: 1 pc



Wheel Ø	Load capacity	Without brake
Ø 100 mm	200 kg	670.05.002