

## PLINTH ADJUSTERS WITH BRACKETS

### Plinth adjuster with supporting bracket

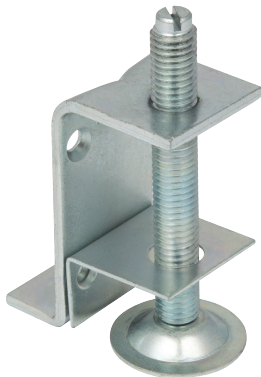
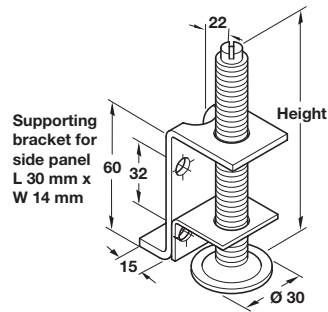
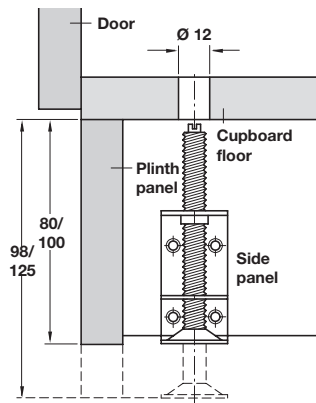


Photo of 637.30.942 shown

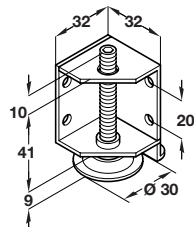
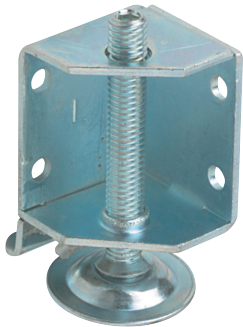


- > Adjustable from above through Ø 12 mm aperture in the cupboard floor
- > 18/25 mm adjustment
- > Load capacity: 130 kg
- > Screw fixing
- > Galvanized steel, M10 x 80/100 mm spindle with swivelling base plate
- > Order qty: 1 pc



Installation height	Adjustment	Cat. No.
Min. 100 mm	25 mm	637.30.941
Min. 80 mm	18 mm	637.30.942

### Plinth adjuster with bracket

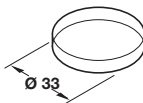


- > Adjustable from above through M8 thread, using allen key
- > 8-9 mm height adjustment
- > Handed
- > Galvanized steel
- > Order qty: 1 pc



Load capacity	Left hand	Right hand
150 kg	637.23.911	637.23.910

### Protective cap



- > Press fits onto Ø 30 mm base plate of plinth adjuster shown above
- > Transparent plastic
- > Order qty: Multiples of 100 pcs

Size	Cat. No.
Ø 33 mm	637.02.090