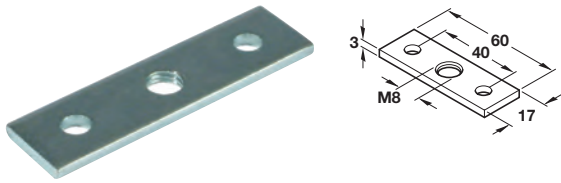


Screw on plate



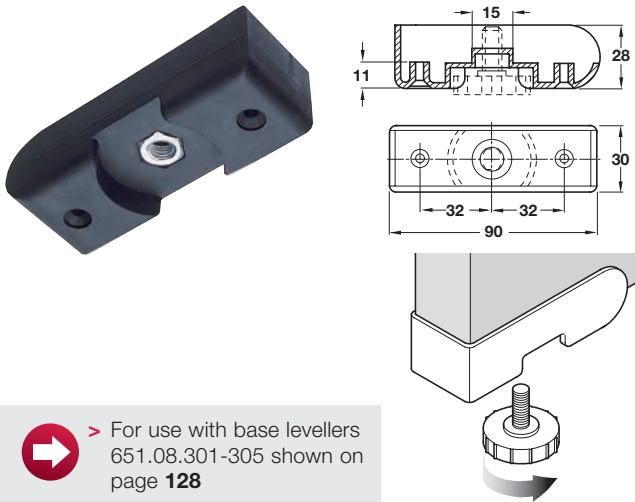
- > Galvanized steel
- > Order qty: 1 pc



Internal thread
M8

Cat. No.
651.14.900

Corner panel adjuster



- > Black plastic
- > Order qty: 1 pc

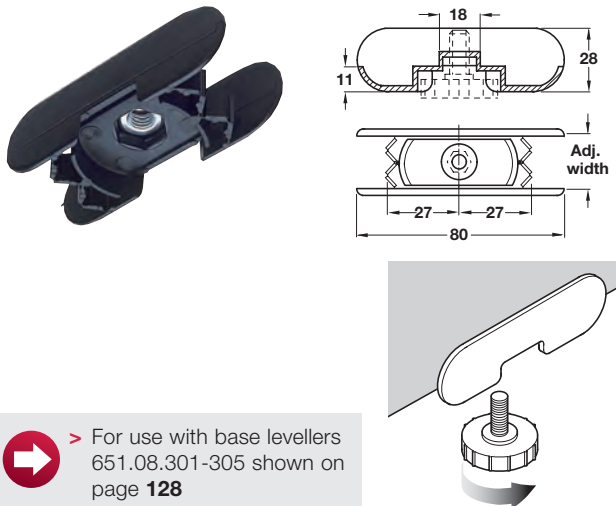


> For use with base levellers
651.08.301-305 shown on
page 128

For panel thickness
25 mm

Cat. No.
651.11.301

Centre panel adjuster



- > Black plastic
- > Order qty: 1 pc

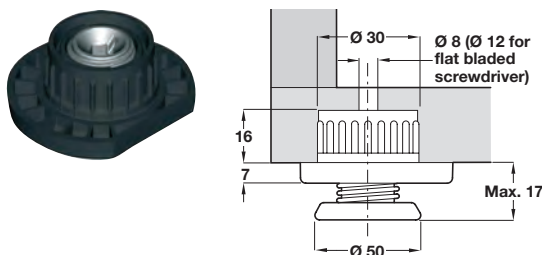


> For use with base levellers
651.08.301-305 shown on
page 128

For panel thickness
25 - 30 mm

Cat. No.
651.11.310

Leveller adjuster



- > Zinc alloy/black plastic
- > Order qty: 1 pc

Load capacity
175 kg

Cat. No.
651.16.300