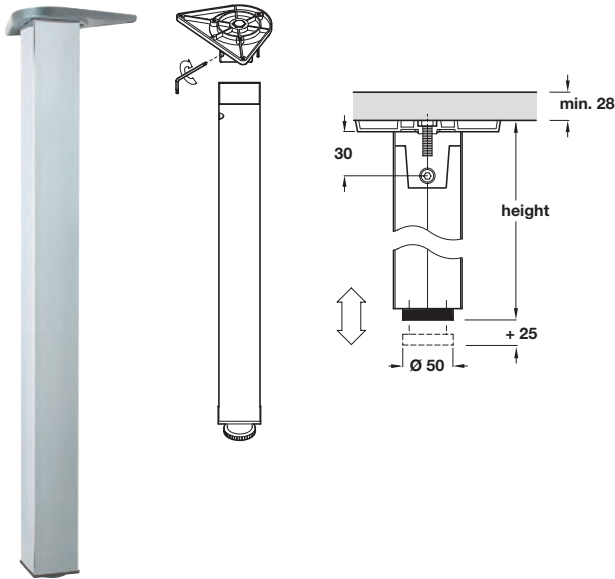


## Square table leg, 870 mm high, 60 x 60 mm



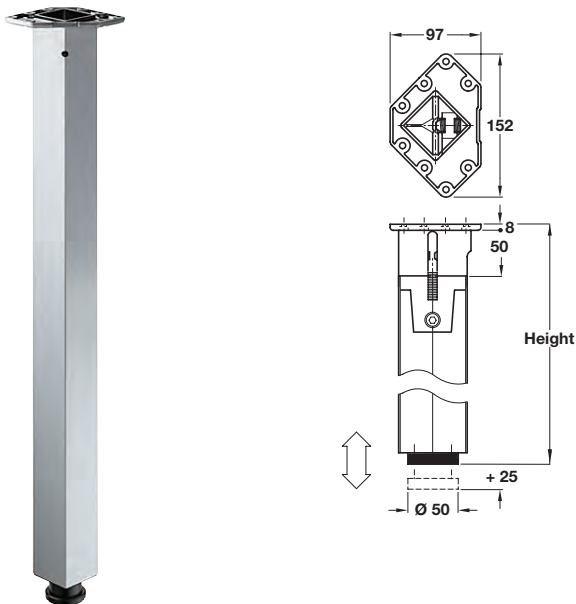
- > With height adjustable screw giving +25 mm adjustment
- > Dark grey zinc alloy screw fixing mounting plate
- > Black plastic adjuster foot
- > Steel leg
- > Order qty: Multiples of 4 pcs



Finish  
Satin steel

Cat. No.  
635.59.571

## Table leg, 705 mm high, 60 x 60 mm



- > With height adjustable screw giving +25 mm adjustment
- > Fixing materials not included
- > Dark grey zinc alloy screw fixing mounting plate
- > Black plastic adjuster foot
- > Steel leg
- > Order qty: Multiples of 4 pcs

Finish

Cat. No.

Polished chrome-plated

635.59.206

White aluminium (RAL 9006)

635.59.906

Clear coated, stainless steel coloured

635.59.006



> Load carrying capacity is dependent on the type of material, size and weight of the construction