

T-FRAME TABLE FITTINGS

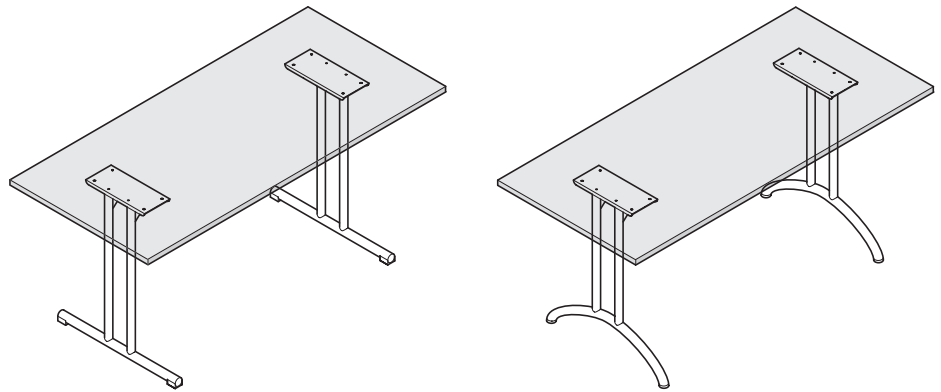
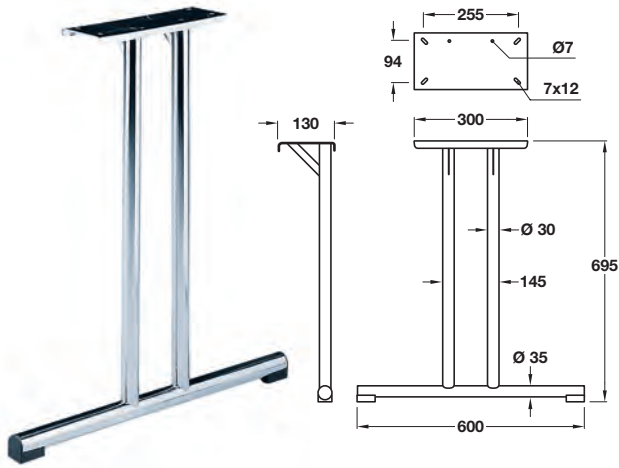


Table fitting, T-frame



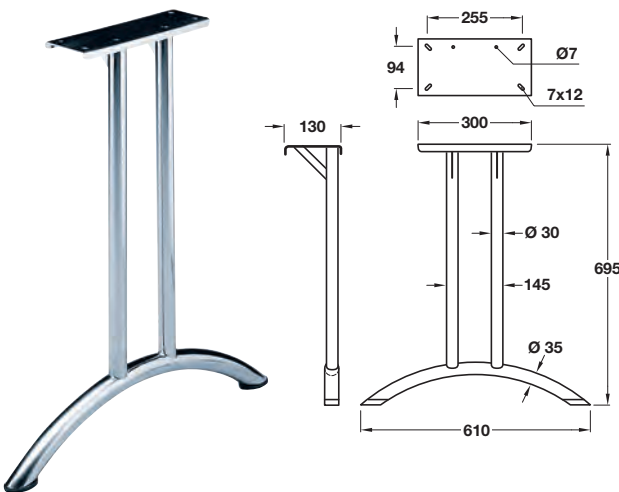
- > Chrome-plated steel with black plastic glides
- > Order qty: 1 pc (=1 T-frame)



Height
695 mm

Cat. No.
635.51.270

Table fitting, T-frame



- > Chrome-plated steel with black plastic glides
- > Order qty: 1 pc (=1 T-frame)



Height
695 mm

Cat. No.
635.52.270



> Load carrying capacity is dependent on the type of material, size and weight of the construction