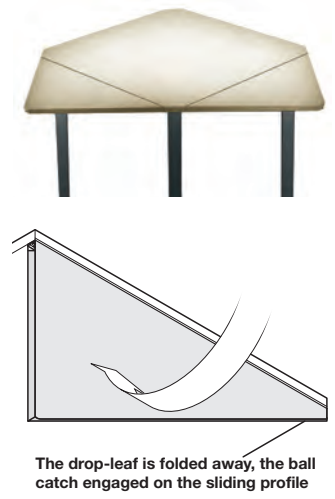
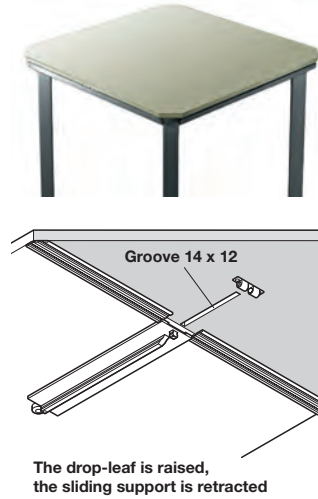
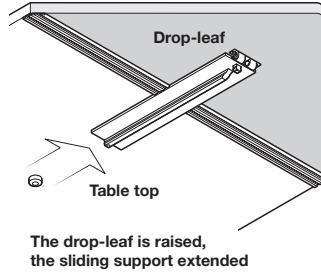
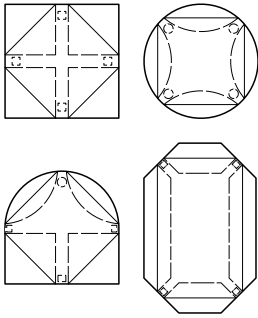
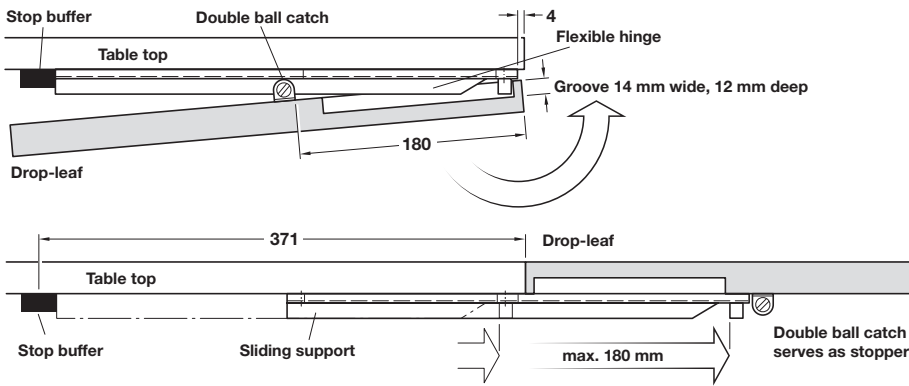


DROP LEAF TABLE FITTINGS

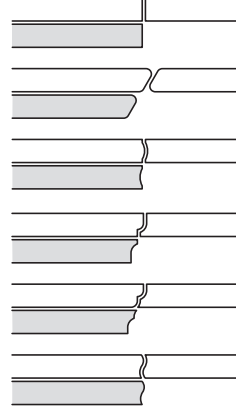
Table tops extended or folded



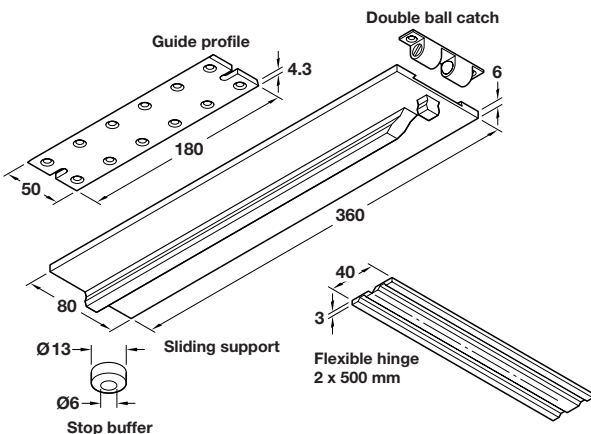
Installation



Possible table edge profiles



TKB drop leaf table fitting



- > Set includes:
 - 1x TKB drop leaf table fitting
 - 1x Sliding support, 360 mm long, silver anodised aluminium
 - 1x guide profile, 180 mm long, silver anodised aluminium
 - 2x flexible hinges, each 500 mm long, clear plastic
 - 1x double ball catch, bright brass
 - 1x stop buffer, rubber
- > Example measurements:
 - Drop leaf depth approx. 250 mm.
 - One fitting has to be installed at intervals of 600 mm width
 - Maximum load carrying capacity 20 kg
- > Order qty: 1 set



Cat. No. Drop leaf table fitting 642.40.008