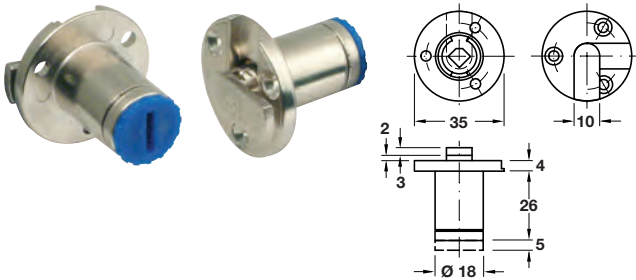


SYMO 3000 INLAID FLAP, CAM AND PUSH-BUTTON LOCK CASES

Symo 3000 inlaid flap lock case

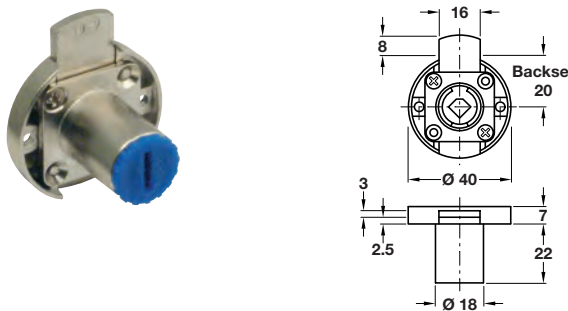


- > For on-site installation of cylinder cores
- > Zinc alloy
- > Order qty: 1 pc



Finish	Cat. No.
Nickel-plated	219.20.600

Symo 3000 inlaid lock case, drawer version

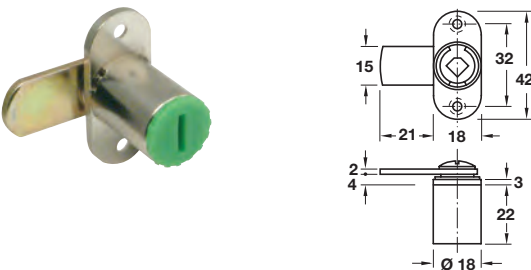


- > For on-site installation of cylinder cores
- > Backset: 20 mm
- > Zinc alloy
- > Order qty: 1 pc



Finish	Cat. No.
Nickel-plated	230.28.620

Symo 3000 cam lock case



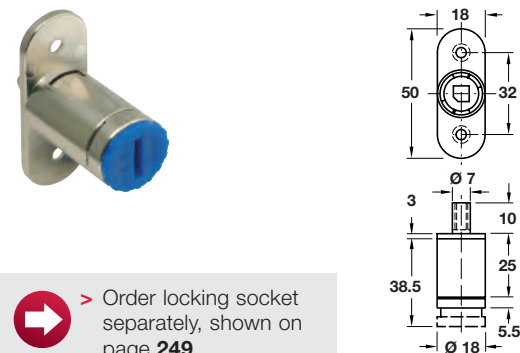
! > *Refer to page **186** for closure direction conversion guide

- > For on-site installation of cylinder cores
- > Closure travel 90°, convertible*
- > Nickel-plated zinc alloy
- > Accessories: 1x locking cam, 1x mounting screw and 1x steel washer
- > Order qty: 1 pc



Closure direction	A (D, F, G*)	B (C, E, H*)
Cat. No.	235.59.600	235.59.610

Push-button lock case



➔ > Order locking socket separately, shown on page **249**

- > For on-site installation of cylinder cores
- > Locking pin with M5 internal thread
- > Zinc alloy
- > Order qty: 1 pc



Finish	Cat. No.
Nickel-plated	234.65.600

- ➔** > For all locks on this page order cylinder rosette separately, shown on page **249**
- > Lock handles for Symo 3000 lock cases are shown on page **192**
- > The Symo 3000 lock cases on this page are only suitable for use with plate lever cylinder cores shown on page **194**