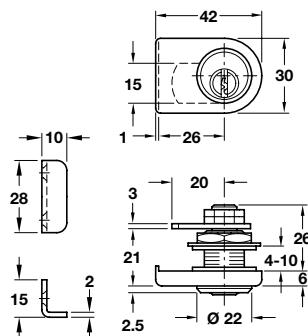


Glass door cylinder lever lock



- > With nut attachment
- > For glass panels from 4-10 mm
- > Closure travel 90°
- > With key trap; key can only be removed in locked position
- > 5 pairs of pin tumblers = 20,000 possible key changes
- > Zinc alloy trim cap
- > Brass cylinder
- > Accessories: 2x keys, 1x plastic clamping plate and clamping rosette, 1x locking cam, 3x nuts and 1x angled steel striking plate
- > Order qty: 1 pc

Closure direction	90° A (D, F, G) 90° B (C, E, H)	
Finish		
Random key changes		
Polished nickel-plated	233.33.700	233.33.710
Matt nickel-plated	233.33.600	233.33.655
Keyed alike: Key change H1		
Polished nickel-plated	233.33.701	233.33.711
Matt nickel-plated	233.33.619	233.33.664
With master key system		Cat. No.
Polished nickel-plated		233.33.798
Matt nickel-plated		233.33.698
Polished brass-plated		233.33.898
With general master key system		
Polished nickel-plated		233.33.799
Matt nickel-plated		233.33.699
Polished brass-plated		233.33.899



> Master and general master key systems: Please discuss with our sales staff before ordering

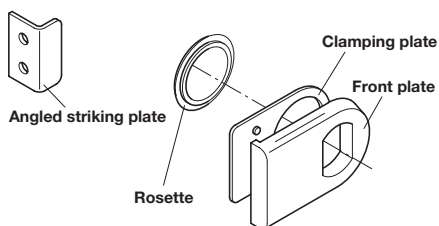
Clamping rosette



- > Replacement rosette for glass door cylinder lever locks above
- > Plastic
- > Order qty: 1 pc

Finish	Cat. No.
Black	233.33.002

Additional fitting set



- > For use with glass door cylinder lever lock above
- > Set consists of:
 - 1x Front plate
 - 1x Clamping plate
 - 1x Clamping rosette
 - 1x Striking plate
- > Order qty: 1 set

	Cat. No.
Fitting set	233.33.968